

Owner's Manual

Model
BLF5051-INT

EN

RU







FR

ES

IMPORTANT SAFETY INFORMATION: Always read this manual first before attempting to install or use this fireplace. For your safety, always comply with all warnings and safety instructions contained in this manual to prevent personal injury or property damage.



Table of Contents

	Welcome & Congratulations	3
	IMPORTANT SAFETY INSTRUCTIONS	4
	Quick Reference Guide	7
	Fireplace Installation	8
	Site Selection	8
	Surface Installation	9
	In-wall Recessed Installation - 100mm Deep	11
	Flush Mounted Installation - 200mm Deep	12
	Front Glass Installation	13
	Operation	15
	Maintenance	18

Always use a qualified technician or service agency to repair this fireplace.

“A sudden change in temperature (for example, moving the unit from frost to a warm room) can cause condensation of moisture inside the device and disrupt its operability when turned on.

The device, after transporting or storing at a negative temperature of outside air, must be kept in a warm room for at least 3 hours, after which it can be put into operation.”

! NOTE: Procedures and techniques that are considered important enough to emphasize.

⚠ CAUTION: Procedures and techniques which, if not carefully followed, will result in damage to the equipment.

⚠ WARNING: Procedures and techniques which, if not carefully followed, will expose the user to the risk of fire, serious injury, or death.

Welcome & Congratulations

Thank you and congratulations for choosing to purchase an electric fireplace from Dimplex, the world leader in electric fireplaces.

Please carefully read and save these instructions.

⚠ CAUTION: Read all instructions and warnings carefully before starting installation. Failure to follow these instructions may result in a possible electric shock, fire hazard and will void the warranty.

Please record your model and serial numbers below for future reference: model and serial numbers can be found on the Model and Serial Number Label of your fireplace.



**NO NEED TO RETURN
TO THE STORE**

Questions With the Assembly?

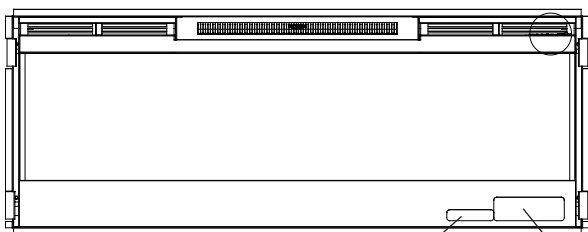
Require Parts Information?

**Product Under Manufacturer's
Warranty?**



Call your local dealer

Please have your model number and product serial number ready. (See below)



Serial Number
Label

Rating Label



IMPORTANT SAFETY INSTRUCTIONS

Read all instructions before using this appliance.

When using electrical appliances, basic precautions should always be followed to reduce the risk of fire, electrical shock and injury to persons, including the following:

1. If the appliance is damaged, check with the supplier before installation and operation.
 2. Do not use outdoors.
 3. Do not use in the immediate surroundings of a bath, shower or swimming pool.
 4. Do not locate the appliance immediately below a fixed socket outlet or connection box.
 5. This appliance can be used by children aged from 8 years and above and persons with reduced physical, sensory or mental capabilities or lack of experience and knowledge if they have been given supervision or instruction concerning use of the appliance in a safe way and understand the hazards involved. Children shall not play with the appliance. Cleaning and user maintenance shall not be made by Children without supervision.
 6. Children of less than 3 years should be kept away unless continuously supervised. Children aged from 3 years and less than 8 years shall only switch on/off the appliance provided that it has been placed or installed in its intended normal operating position and they have been given supervision or instruction concerning use of the appliance in a safe way and understanding the hazards involved. Children aged from 3 years and less than 8 years shall
-



IMPORTANT SAFETY INSTRUCTIONS

not plug in, regulate and clean the appliance or perform user maintenance.


7. Do not use this appliance in series with a thermal control, a program controller, a timer or any other device that switches on the heat automatically, since a fire risk exists when the appliance is accidentally covered or displaced.
8. This appliance is not equipped with a device to control the room temperature. Do not use this appliance in small rooms when they are occupied by persons not capable of leaving the room on their own, unless constant supervision is provided.
9. Ensure that furniture, curtains or other combustible material are positioned no closer than 1 metre from the appliance.
10. In the event of a fault unplug the appliance.
11. Unplug the appliance when not required for long periods.
12. Although this appliance complies with safety standards, we do not recommend its use on deep pile carpets or on long hair type of rugs.
13. The appliance must be positioned so that the plug is accessible.
14. If the supply cord is damaged it must be replaced by the manufacturer or service agent or a similarly qualified person in order to avoid a hazard.
15. Keep the supply cord away from the front of the appliance.

IMPORTANT SAFETY INSTRUCTIONS

⚠ WARNING: In order to avoid overheating, do not cover the appliance. Do not place material or garments on the appliance, or obstruct the air circulation around the appliance, for instance by curtains or furniture, as this could cause overheating and a fire risk.

⚠ WARNING: In order to avoid a hazard due to inadvertent resetting of the thermal cut-out, this appliance must not be supplied through an external switching device, such as a timer, or connected to a circuit that is regularly switched on and off by the utility.

⚠ CAUTION: Some parts of this product can become very hot and cause burns. Particular attention has to be given where children and vulnerable people are present.

The heater carries the Warning Symbol 
indicating that it must not be covered

SAVE THESE INSTRUCTIONS



Quick Reference Guide

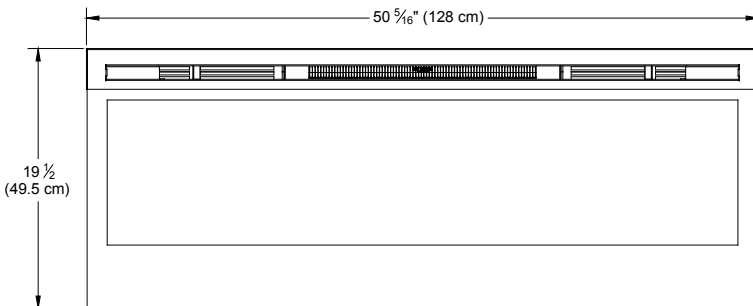
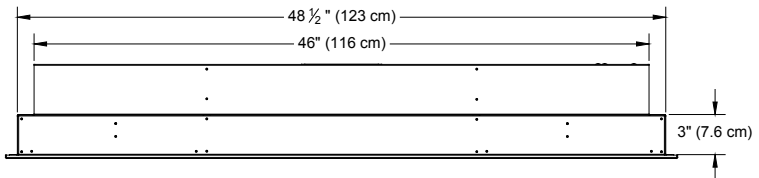
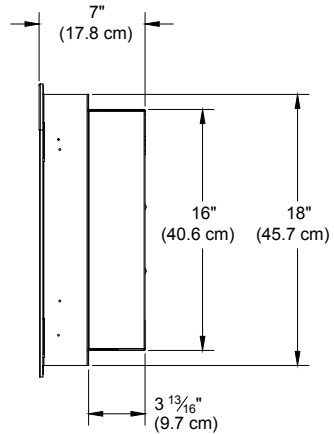
① The electrical information regarding your electric fireplace can be found on the rating label located on the front of the unit, behind the glass.

Before installation, please record your fireplace's serial number below for future reference.

② If you have any technical questions or concerns regarding the operation of your electric fireplace, or require service contact customer service.

③ For dimensions of your fireplace, refer to Figure 1.

Figure 1



Fireplace Installation

Site Selection

Review and consider all of the following conditions for installation:

- Dimensions of the unit: 128cm x 49.5cm
- Unit requires a minimum of two (2) wall studs in order to ensure a secure installation

Three possible installation methods:

- Installation method: Surface mount; In-wall Recessed; or Flush mount

⚠ WARNING: Ensure the power cord is not installed so that it is pinched or against a sharp edge and ensure that the power cord is stored or secured to avoid tripping or snagging to reduce the risk of fire, electric shock or injury to persons.

Construction and electrical outlet wiring must comply with local building codes and other applicable regulations to reduce the risk of fire, electric shock and injury to persons.

1. Select a location that is not susceptible to moisture and is away from drapes, furniture and high traffic.
2. For ease of electrical hook up

you may wish to locate the fireplace near an existing outlet (for plug-in convenience).

! NOTE 1: A 13 Amp, 230 Volt circuit is required. A dedicated circuit is preferred but not essential in all cases. A dedicated circuit will be required if, after installation, the circuit breaker trips or fuse blows on a regular basis when the heater is operating. Additional appliances on the same circuit may exceed the current rating of the circuit breaker.

3. Remove fireplace, front glass and hardware from box and remove all packaging materials before installation.
4. Store the fireplace in a safe, dry and dust free location until you are ready to install the fireplace.
5. Means for disconnection must be incorporated in the fixed wiring in accordance with wiring rules.

Fireplace Installation

The fireplace is packaged with a plug installed for plug-in convenience. Hard wiring the fireplace is also an option by removing the plug from the factory fitted cord and completing the wiring according to National and Local Electrical Codes.

⚠ WARNING: Do not attempt to wire your own new outlets or circuits. To reduce the risk of fire, electric shock or injury to persons, always use a licensed electrician.

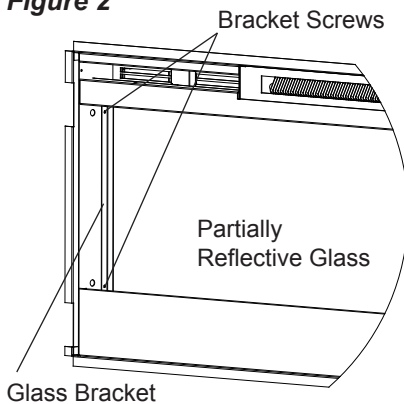
Surface Installation

⚠ CAUTION: Two people may be required for various steps of this procedure.

1. Choose a location for mounting the unit.
2. Choose your method of supplying power to the unit:
 - Plug in to an existing outlet or install an outlet nearby.
 - Hard wire the fireplace.

! NOTE: Hard wiring can be done by removing the plug from the factory fitted cord and completing the wiring according to National and Local Electrical Codes.

Figure 2



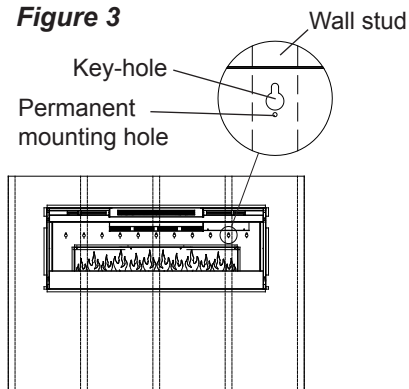
⚠ WARNING: Do not attempt to wire your own new outlets or circuits. To reduce the risk of fire, electric shock or injury to persons, always use a licensed electrician.

Ensure that the 3-Position Switch is set to the Off position ("O") and that the circuit on which the fireplace is to be installed has the power cut off at the service panel until installation is complete.

3. Remove the partially reflective glass from the fireplace:
 - Lay fireplace on its back.
 - Remove two (2) Phillips screws from each of the two (2) glass brackets (Figure 2).
 - Remove glass brackets.
 - With one hand keeping

Fireplace Installation

Figure 3



pressure on the partially reflective glass, tilt the fireplace upright and slightly forward to allow the partially reflective glass to fall out of the inside framing.

- Remove partially reflective glass from fireplace.

4. Position the fireplace on a wall at the position where it will be mounted (Figure 3). Use a bubble level (one is supplied) to ensure that fireplace is level on the wall.
5. Mark the location of four (4) screw locations on the wall (through key-holes).

⚠ CAUTION: If installing unit on a wall that is constructed of drywall ensure that appropriate

wall anchors are used and at least one is located into a stud.

6. Remove fireplace from wall and store in a safe place away from traffic.
7. Screw all four (4) supplied #8, 3.8 cm square head mounting screws and washers into the wall and/or wall anchors leaving 6.5 mm of thread.
8. Align chosen key-holes with screws and hang fireplace on the wall. Screw heads and washers will fit through keyholes and fireplace will slide down into place (screws will slide into narrow part of key-holes).
9. Tighten all four (4) mounting screws down on fireplace chassis.
10. Screw the two (2) supplied #8 square head screws through two of the permanent mounting holes which align with a wall stud.
11. Carefully replace and install partially reflective glass and glass brackets using screws from step 1.
12. Refer to Front Glass Installation section, for final installation procedures.

Fireplace Installation

In-wall Recessed Installation - 100mm Deep

⚠ CAUTION: Two people may be required for various steps of this procedure.

1. Prepare a wall with a framed opening of 118.1 cm wide x 42 cm high (Figure 4).

! NOTE: The sizing has allowed for 6.4mm around the fireplace insert for ease of installation. This fireplace does not require any additional venting.

2. Choose your method of supplying power to the unit:
 - Plug in (you may run the power cord out of the framed wall opening to an existing outlet or install an outlet on a nearby wall stud within the wall).
 - Hard wire the fireplace.

! NOTE: Hard wiring can be done by removing the plug from the factory fitted cord and completing the wiring according to National and Local Electrical Codes.

⚠ WARNING: Do not attempt to wire your own new outlets or circuits. To reduce the risk of fire, electric shock or injury to persons, always use a licensed electrician.

Figure 4

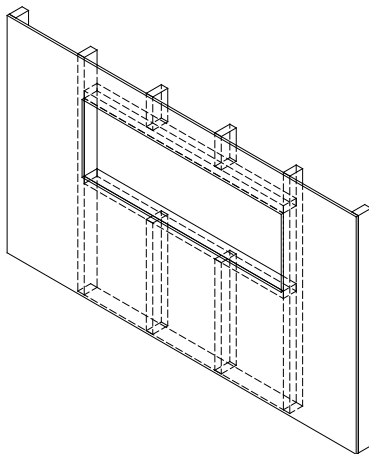
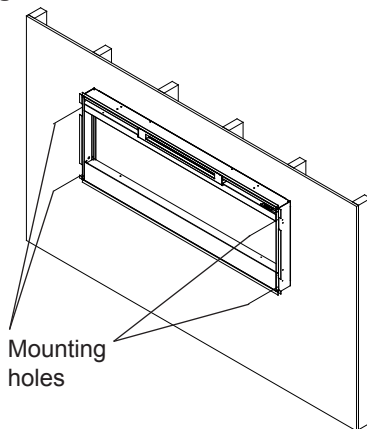
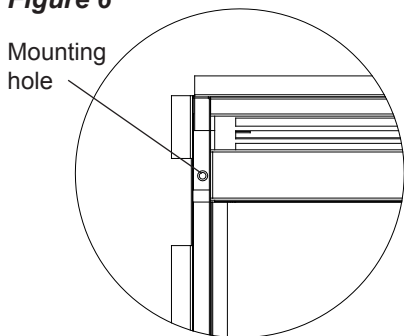


Figure 5



Fireplace Installation

Figure 6



Ensure that the 3-Position Switch is set to the Off position ("O") and that the circuit on which the fireplace is to be installed has the power cut off at the service panel until installation is complete.

3. Lift fireplace and insert into opening (Figure 5).
4. Use bubble level (supplied) to level the fireplace within the framing. Adjust as required.
5. Drive four (4) supplied mounting screws through the four (4) mounting holes located in each corner of the fireplace chassis, into wall studs (Figure 6).
6. Refer to Front Glass Installation section, for final installation procedures.

Flush Mounted Installation

- 200mm Deep

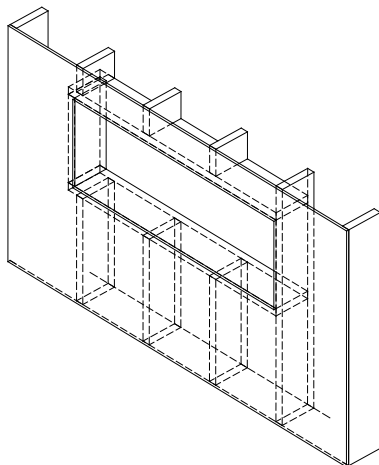
⚠ CAUTION: Two people may be required for various steps of this procedure.

1. Prepare a wall with a framed opening of 124.5 cm wide x 47 cm high (Figure 7).

! NOTE: The sizing has allowed for 6.4mm around the fireplace insert for ease of installation. This fireplace does not require any additional venting.

2. Choose your method of supplying power to the unit:
 - Plug in (you may run the power cord out of the framed wall opening to an existing

Figure 7



Fireplace Installation

outlet or install an outlet on a nearby wall stud within the wall).

- Hard wire the fireplace.

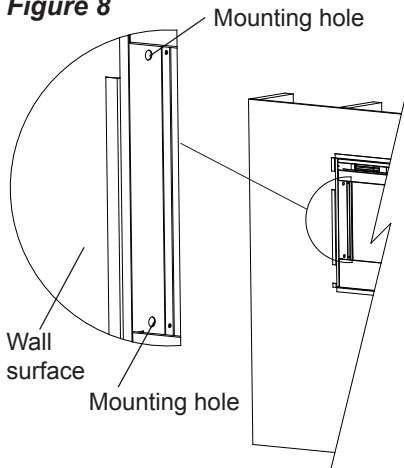
! NOTE: Hard wiring can be done by removing the plug from the factory fitted cord and completing the wiring according to National and Local Electrical Codes.

⚠ WARNING: Do not attempt to wire your own new outlets or circuits. To reduce the risk of fire, electric shock or injury to persons, always use a licensed electrician.

Ensure that the 3-Position Switch is set to the Off position ("O") and that the circuit on which the fireplace is to be installed has the power cut off at the service panel until installation is complete.

3. Lift fireplace and insert into opening. The fireplace's mounting trim should be flush against the wall (Figure 8).
4. Use bubble level (supplied) to level the fireplace within the framing. Adjust as required.
5. Drive four (4) supplied mounting screws through the four (4) mounting holes located on the inside surface of the fireplace chassis, into wall studs (Figure 8).

Figure 8



6. Refer to Front Glass Installation section, for final installation procedures.

Front Glass Installation

1. Evenly distribute supplied glass rock on the front tray of the fireplace (Figure 9).
2. Carefully mount front glass assembly so that the front glass hooks (4) hang on the front glass mounts on the fireplace (4) (Figure 10).
3. Use the supplied two (2) Phillips sheet metal screws to fasten the glass assembly tabs to the fireplace (Figure 11).
4. Ensure the fireplace's

Fireplace Installation

Figure 9

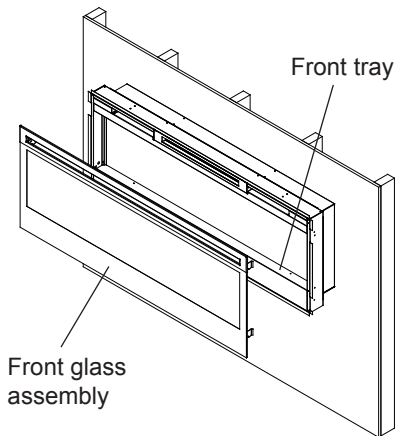
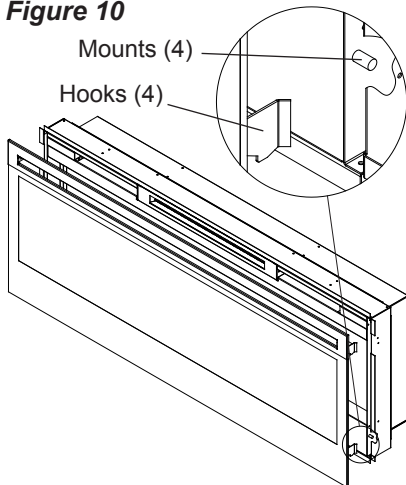


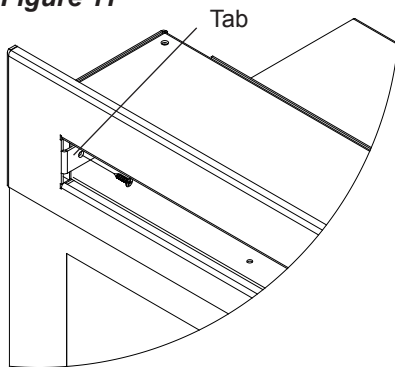
Figure 10



3-Position Switch is switched to the Off position ("O").

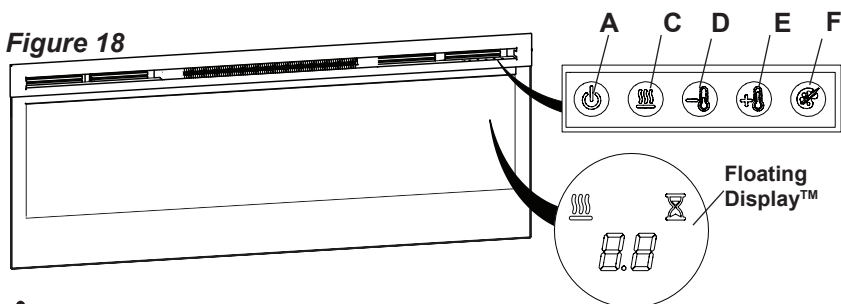
5. If unit is not hard-wired, plug fireplace into a 13 Amp, 230 Volt outlet (refer to NOTE 1).

Figure 11



👉 Operation

Figure 18



⚠️ WARNING: This electric firebox must be properly installed before it is used.

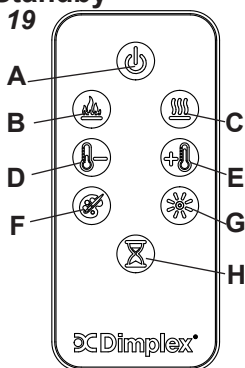
The unit can be controlled by either the manual controls which are located on the upper right of the fireplace or the remote (Figure 18 & 19).

The fireplace is supplied with an IR multifunction remote control.

! NOTE: To operate correctly, the remote control must be pointed towards the Floating Display™.

A. 🛑 Standby

Figure 19



Turns the unit On and Off.

→ Activated by pressing the Standby button on the remote or the unit.

- The unit will turn on with the same functions that it was set to when it was turned Off and the intake temperature will be indicated on the On Screen Display.

! NOTE: When any button is pressed the intake temperature will be displayed on the On Screen Display for 5 seconds.

B. 🔥 Flame Effects

Turns the flame effect On and Off.

→ Activated by pressing the 🔥 button on the remote.

C. 🌡️ Heat ON/OFF

Cycles the unit sequentially through the 2 settings: High Heat and Off.

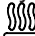
→ Activated by pressing the 🌡️ button on the unit or the remote.

- Indicated by the 🌡️ icon and

Operation

the intake temperature being displayed on the On Screen Display, for 5 seconds before turning off.



! NOTE: After the heater is switched off, there is a 60 second fan delay, where the fan will continue running before turning off.

! NOTE: The unit can be operated in **Heat Only Mode**. When the unit is only running with the heater, the  icon will continuously be displayed on the On Screen Display.

! NOTE: The heater may emit a slight, harmless odor when first used. This odor is a normal condition caused by initial heating of internal heater parts and will not occur again.



D & E. **Thermostat Controls**

Adjusts the temperature set point to your individual requirements. Once the desired set temperature is reached the heater will turn off. The heater will cycle on and off to maintain the desired set temperature. The default temperature setting is 72°F (22°C).

→ Adjusted by pressing the  to decrease the setpoint and the  to increase the setpoint on



the unit or the remote.



- The On Screen Display will indicate the temperature setpoint as it is adjusted.

! NOTE: Holding the  and the  buttons down for two seconds, on the unit, will change the temperature from °C to °F, or vice versa.

Disable Heat

If desired, depending on the season, the heater on the unit can be disabled. The unit will operate in the same fashion, with remainder of the controls.

Pressing the  and  buttons on the unit at the same time and holding for 2 seconds will disable and enable the heater.

! NOTE: When the heater has been disabled and either the  or the  is pressed the On Screen Display will indicate "--".

F. **Color Themes**

Different presets of ambient lighting color combinations contained in the unit.


→ Changed by repeatedly pressing the corresponding button on the remote or the unit.

- Cycles through the different preset ambient lighting settings

Operation

of the unit, this includes different combinations of colours of the flame base and media lighting.

! NOTE: The last theme of the cycle is a prism where the unit cycles through a variety of colours.

Pressing the  button stops the cycling and holds the unit on the preferred color, indicated by a "U" - Unfreeze or a "F" - Freeze on the display.

G. Brightness

Changes the brightness of the lights in the unit.


→ Adjusted by repeatedly pressing the corresponding button on the remote.

- Indicated by the second digit on the Floating Display™ changing to show: "H" (high), and "L" (low).


H. Sleep Timer

The Sleep Timer can be set to automatically shut off the fireplace after a preset time (from 30 minutes to 8 hours).

→ To set the timer press the timer button on either the remote or the unit, repeatedly, until the desired time is displayed.

- The On Screen Display will display the different times as it is adjusted. Once the timer has begun, pressing the  button

will display the time remaining before the unit turns Off.

! NOTE: The Sleep Timer can be cancelled at any time by pressing the  button repeatedly until the sleep timer displays nothing.


Resetting the Temperature Cutoff Switch

Should the heater overheat, an automatic cut out will turn the heater off and it will not come back on without being reset. It can be reset by unplugging the unit and waiting 5 minutes before plugging the unit back in.

Remote Control Battery Replacement

1. Slide battery cover open on the remote control.
2. Correctly install one 3 Volt (CR2032 [longer life] or CR2025) battery in the battery holder.
3. Close the battery cover.

Battery must be recycled or disposed of properly. Check with your

 Local Authority or Retailer for recycling advice in your area



Maintenance

⚠ WARNING: Disconnect power before attempting any maintenance or cleaning to reduce the risk of fire, electric shock or damage to persons.

Partially Reflective Glass Cleaning

The partially reflective glass is cleaned in the factory during the assembly operation. During shipment, installation, handling, etc., the partially reflective glass may collect dust particles; these can be removed by dusting lightly with a clean dry cloth.

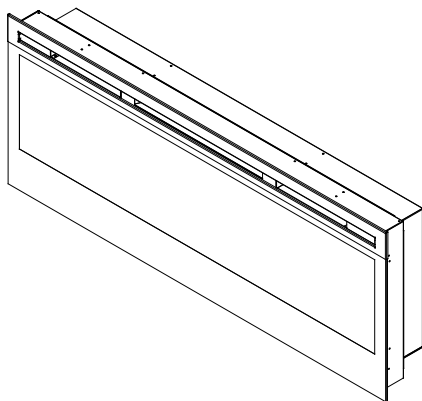
To remove fingerprints or other marks, the partially reflective glass can be cleaned with a damp cloth. The partially reflective glass should be completely dried with a lint free cloth to prevent water spots. To prevent scratching, do not use abrasive cleaners.

Fireplace Surface Cleaning

Use only a damp cloth to clean painted surfaces of the fireplace. Do not use abrasive cleaners.

Servicing

Except for installation and cleaning described in this manual, an authorized service representative should perform any other servicing.



Руководство пользователя

Модель
BLF5051-INT

EN

RU







FR

ES

ВАЖНАЯ ИНФОРМАЦИЯ ПО ТЕХНИКЕ БЕЗОПАСНОСТИ: Перед установкой или началом эксплуатации данного камина сначала обязательно прочитайте это руководство. Ради собственной безопасности, чтобы предотвратить травмы или повреждение имущества, всегда соблюдайте все предупреждения и правила техники безопасности, содержащиеся в настоящем руководстве.



Оглавление

	Вступление	21
	ВАЖНЫЕ ИНСТРУКЦИИ ПО ТЕХНИКЕ БЕЗОПАСНОСТИ	22
	Краткое справочное руководство	25
	Установка камина	26
	Выбор места установки.	26
	Поверхностная установка	27
	Установка с заглублением в стену - глубина 100 мм	29
	Установка заподлицо Установка - глубина 200 мм	30
	Установка переднего стекла	31
	Использование	33
	Техобслуживание	36

Поручайте ремонт камина только квалифицированному специалисту или агентству по сервисному обслуживанию.

Резкая смена температуры (например, перемещение прибора с мороза в теплое помещение) может вызвать конденсацию влаги внутри прибора и нарушить его работоспособность при включении.

Прибор после транспортировки или хранения при отрицательной температуре наружного воздуха, должен отстояться в теплом

помещении не менее 3 часов, после чего можно осуществлять его ввод в эксплуатацию.

! ПРИМЕЧАНИЕ: Важные процедуры и приемы, на которые следует обратить особое внимание.

⚠ ОСТОРОЖНО: Процедуры и приёмы, несоблюдение которых приводит к повреждению оборудования.

⚠ ВНИМАНИЕ: Процедуры и приёмы, из-за несоблюдения которых возникает опасность возгорания или получения серьезной травмы, в т.ч. со смертельным исходом.

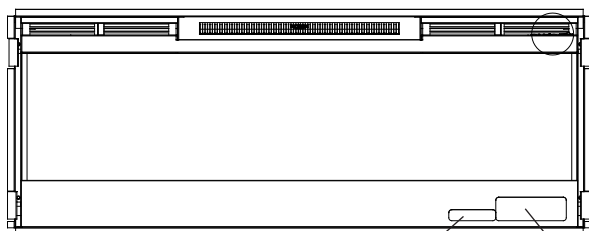
Вступление

Благодарим и поздравляем Вас с приобретением электрокамина от компании Dimplex - мирового лидера в области производства электрокаминов!

Внимательно прочитайте эти инструкции и сохраните их.

⚠ ОСТОРОЖНО: Перед началом установки внимательно прочитайте все инструкции и предупреждения. Несоблюдение этих инструкций может привести к поражению электрическим током и пожару, а также является основанием для аннулирования гарантии.

Для использования в будущем впишите в нижеследующие поля номер Вашей модели и серийный номер (эти номера можно найти на специальной этикетке на Вашем камине).



Этикетка с
серийным
номером

Паспортная
табличка



**ВОЗВРАТ В МАГАЗИН
НЕ ТРЕБУЕТСЯ**

Проблемы со сборкой?

Нужна информация о деталях?

Имеется ли на изделие
гарантия производителя?



**Позвоните своему
местному дилеру**

Держите наготове номер
Вашей модели и серийный
номер изделия (см. ниже).



ВАЖНЫЕ ИНСТРУКЦИИ ПО ТЕХНИКЕ БЕЗОПАСНОСТИ

Перед началом эксплуатации данного устройства прочитайте все инструкции.

Чтобы снизить риск воспламенения, поражения электрическим током и получения травм, необходимо при использовании электроприборов соблюдать основные меры безопасности:

1. Если устройство повреждено, перед тем как его устанавливать и эксплуатировать, обратитесь к поставщику.
 2. Не используйте оборудование вне помещения.
 3. Не используйте устройство в непосредственной близости от ванной комнаты, душа или бассейна.
 4. Не располагайте устройство непосредственно под штепсельной розеткой или соединительной коробкой.
 5. Это устройство может использоваться детьми в возрасте 8 лет и старше, а также лицами с ограниченными физическими, сенсорными или умственными способностями или с недостатком опыта и знаний, если они находятся под контролем или проинструктированы о правилах безопасного использования устройства и понимают возможные опасности. Не позволяйте детям играть с устройством. Чистка и обслуживание могут осуществляться детьми только под присмотром взрослых.
 6. Детей в возрасте до 3 лет, если они не находятся под непрерывным присмотром, следует держать подальше от устройства. Дети в возрасте от 3 до 8 лет могут только включать-выключать устройство при условии, что оно размещено или установлено в нормальное рабочее положение, а дети находятся под контролем или проинструктированы о правилах безопасного использования устройства и понимают возможные опасности. Дети в возрасте от 3 до 8 лет не должны
-



ВАЖНЫЕ ИНСТРУКЦИИ ПО ТЕХНИКЕ БЕЗОПАСНОСТИ

подключать, регулировать и чистить устройство, как и выполнять его обслуживание.

7. Не используйте данное устройство в сочетании с терморегулятором, программным контроллером, таймером или любым другим устройством, которое осуществляет автоматическое переключение в режим обогрева, поскольку случайное накрытие или смещение устройства может стать причиной пожара.
8. Данное изделие не оснащено устройством контроля температуры в помещении. Использование данного устройства в небольших помещениях в присутствии лиц, неспособных покинуть помещение самостоятельно, допускается только при постоянном контроле.
9. Убедитесь в том, что мебель, шторы или другие горючие материалы находятся не ближе 1 м от данного устройства.
10. В случае сбоя извлеките штепсельную вилку из розетки.
11. Отсоединяйте устройство от электрической сети, если оно долго не используется.
12. Несмотря на то, что данное устройство соответствует положениям стандартов безопасности, мы не рекомендуем использовать его в помещениях, где уложено ковровое покрытие с длинным ворсом.
13. Устройство должно быть расположено так, чтобы сохранялся доступ к штепсельной вилке.
14. Во избежание опасных ситуаций обращайтесь для замены поврежденного шнура питания к производителю, агенту по сервисному обслуживанию или специалисту аналогичной квалификации.
15. Следите за тем, чтобы шнур питания не оказался перед устройством.




ВАЖНЫЕ ИНСТРУКЦИИ ПО ТЕХНИКЕ БЕЗОПАСНОСТИ

⚠ ВНИМАНИЕ! Не накрывайте устройство во избежание перегрева. Не кладите ткань или предметы одежды на устройство и не загораживайте его шторами или мебелью, поскольку это препятствует свободной циркуляции воздуха вокруг устройства и может привести к перегреву или пожару.

⚠ ВНИМАНИЕ! Во избежание опасности из-за непреднамеренного возврата теплового выключателя в исходное положение электропитание данного устройства не должно поступать через таймер и другие внешние переключающие устройства, устройство также не должно быть подключено к электросети, которая запрограммирована на регулярное включение и выключение.

⚠ ОСТОРОЖНО! Некоторые детали изделия могут сильно нагреваться и при соприкосновении с кожей вызывать ожоги. Особое внимание требуется в случае присутствия детей и лиц с ограниченными возможностями.

На обогревателе имеется предупреждающий символ,  указывающий, что его нельзя накрывать

СОХРАНЯЙТЕ ЭТИ ИНСТРУКЦИИ



Краткое справочное руководство

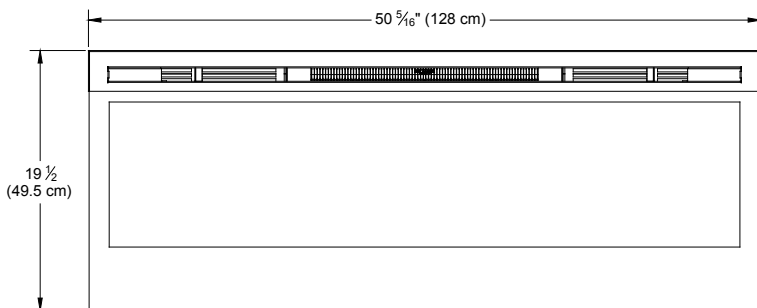
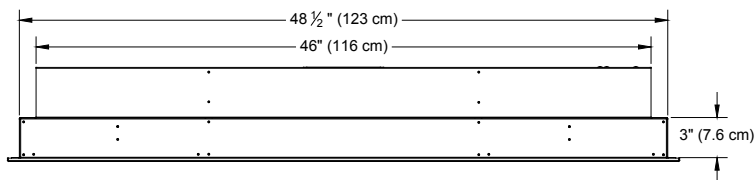
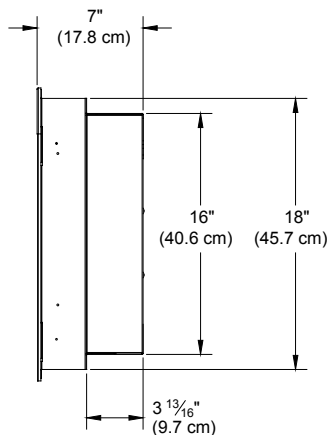
① Информация по электросистеме Вашего электрокамина находится на паспортной табличке, расположенной в передней части изделия, за стеклом.

Перед установкой для использования в будущем впишите ниже серийный номер Вашего электрокамина.

② Если у Вас возникли какие-то технические вопросы или опасения относительно работы Вашего электрокамина, либо возникла необходимость в сервисных услугах, обратитесь в отдел обслуживания клиентов.

③ Размеры Вашего камина см. на рис. 1.

Рис. 1





Установка камина

Выбор места установки

Просмотрите и оцените все нижеследующие условия установки:

- Размеры изделия: 128 см x 49,5 см
- Чтобы обеспечить надёжную установку изделия, требуется не менее 2 (двух) каркасных стоек

Существует три метода установки:

- Метод установки: Поверхностный монтаж, установка с заглублением в стену или установка заподлицо
- Фиксированное подключение или подключение к электрической розетке

⚠ ВНИМАНИЕ! Шнур питания при установке не должен быть защемлён и не должен касаться острого края, кроме того, он должен храниться или быть закреплён так, чтобы о него нельзя было споткнуться с тем, чтобы уменьшить опасность пожара, поражения электрическим током или травмирования.

Конструкция и проводка электрической розетки должны соответствовать местным строительным нормам и правилам и другим применимым нормативам с тем, чтобы уменьшить опасность пожара, поражения электрическим током или травмирования.

1. Выбирайте место установки с учётом того, чтобы оно не было чересчур влажным и находилось в стороне от занавесок, мебели и интенсивного движения.
2. Чтобы облегчить подключение к источнику электроэнергии, желательно расположить камин возле существующей розетки (для

удобства подключения).

! ПРИМЕЧАНИЕ 1: Необходима электрическая цепь на 13 А, 230 В. Предпочтительна, но не во всех случаях обязательна некоммутируемая цепь. Некоммутируемая цепь необходима в том случае, если после установки во время работы обогревателя регулярно размыкается автоматический выключатель или перегорает плавкий предохранитель. Дополнительные устройства в той же самой цепи могут превысить значение номинального тока автоматического выключателя.

3. Перед началом установки извлеките из коробки электрокамин, переднее стекло и оборудование, удалите все упаковочные материалы.
4. До начала установки храните камин в безопасном, сухом и свободном от пыли месте.

Установка камина

Для удобства подключения камин снабжён штепсельной вилкой с тремя плоскими контактами. Для фиксированного электромонтажа необходимо снять штепсельную вилку с изготовленного на заводе провода и выполнить разводку в соответствии с государственными и локальными нормами на электрические параметры.

⚠ ВНИМАНИЕ! Не пытайтесь самостоятельно устанавливать новые розетки или цепи. Чтобы уменьшить опасность пожара, поражения электрическим током или травмирования, всегда пользуйтесь услугами дипломированного электрика.

⚠ ВНИМАНИЕ! Убедитесь, что 3-позиционный выключатель установлен в положение Выкл ("0") и что до завершения установки электрическая цепь, в которой должен быть установлен электрокамин, отключена на эксплуатационной панели.

Поверхностная установка

⚠ ОСТОРОЖНО: Для выполнения различных этапов этой процедуры необходимы два человека.

1. Выберите место установки изделия.
2. Выберите нужный метод подачи электропитания к изделию:
 - Подключение к имеющейся розетке или установка новой неподалёку.
 - Фиксированное подключение камина.

Рис. 2



! ПРИМЕЧАНИЕ: Для фиксированного электромонтажа необходимо снять штепсельную вилку с изготовленного на заводе провода и выполнить разводку в соответствии с государственными и локальными нормами на электрические параметры.

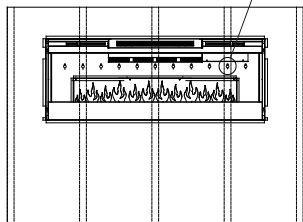
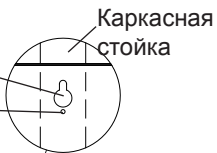
⚠ ВНИМАНИЕ! Не пытайтесь самостоятельно устанавливать новые розетки или цепи. Чтобы уменьшить опасность пожара, поражения электрическим током или травмирования, всегда пользуйтесь услугами дипломированного электрика.

- Убедитесь, что 3-позиционный выключатель установлен в положение Выкл ("0") и что до завершения установки электрическая цепь, в которой должен быть установлен электрокамин, отключена на эксплуатационной панели.
3. Снимите с электрокамина частично отражающее стекло:
 - Положите электрокамин на его заднюю стенку.

Установка камина

Рис. 3

"Замочная скважина"
Стационарное монтажное отверстие



- Удалите 2 (два) винта Phillips с каждого из 2 (двух) кронштейнов для стекла (рис. 2).
 - Снимите кронштейны для стекла.
 - Удерживая одной рукой частично отражающее стекло, поднимите камин и слегка наклоните его вперёд, чтобы частично отражающее стекло могло выйти из внутреннего каркаса.
 - Снимите с электрокамина частично отражающее стекло.
1. Расположите камин на стене в том положении, в котором он будет смонтирован (рис. 3). С помощью пузырькового уровня (который входит в комплект поставки) убедитесь, что электрокамин ровно прилегает к стене.
 2. Отметьте на стене 4 (четыре) места расположения винтов (через "замочные скважины").
 3. **ОСТОРОЖНО:** При установке изделия на стену из гипсокартона убедитесь, что используются соответствующие стеновые анкеры и что по крайней мере один из них находится в стойке.
 4. Снимите камин со стены и уложите его в безопасном месте, в стороне от интенсивного движения.
 5. Ввинтите все 4 (четыре) входящих в комплект поставки установочных винта с квадратной головкой #8 (3,8 см) и шайбы в стену и/или стеновые анкеры, оставив 6,5 мм резьбы.
 6. Выровняйте выбранные "замочные скважины" с винтами и повесьте камин на стену. Головки винтов и шайбы должны пройти через "замочные скважины", камин проскользнёт вниз и встанет на место (винты сдвинутся в узкую часть замочных скважин).
 7. Привинтите все 4 (четыре) установочных винта сверху к каркасу камина.
 8. Ввинтите 2 (два) входящих в комплект поставки винта с квадратными головками #8 через два стационарных монтажных отверстия, выровненных с каркасной стойкой.
 9. С помощью винтов осторожно установите частично отражающее стекло и кронштейны для стекла начиная с этапа 1.
 9. Заключительные процедуры установки см. в разделе "Установка переднего стекла".



Установка с заглублением в стену - глубина 100 мм

⚠ ОСТОРОЖНО: Для выполнения различных этапов этой процедуры необходимы два человека.

1. Подготовьте стену с обрамлённой нишей шириной 118,1 см и высотой 42 см (рис. 4).

! ПРИМЕЧАНИЕ: Для облегчения установки вокруг каминной вставки допускается изменение размера в 6,4 мм. Этот камин не требует дополнительной вытяжки.

2. Выберите нужный метод подачи электропитания к изделию:
 - Подключение к розетке (Вы можете подключить шнур питания от обрамлённой ниши к существующей розетке или установить розетку на прилегающую каркасную стойку).
 - Фиксированное подключение камина.

! ПРИМЕЧАНИЕ: Для фиксированного электромонтажа необходимо снять штепсельную вилку с изготовленного на заводе провода и выполнить разводку в соответствии с государственными и локальными нормами на электрические параметры.

⚠ ВНИМАНИЕ: Не пытайтесь самостоятельно устанавливать новые розетки или цепи. Чтобы уменьшить опасность пожара, поражения электрическим током или травмирования, всегда пользуйтесь услугами дипломированного электрика.

Убедитесь, что 3-позиционный выключатель установлен в положение

Рис. 4

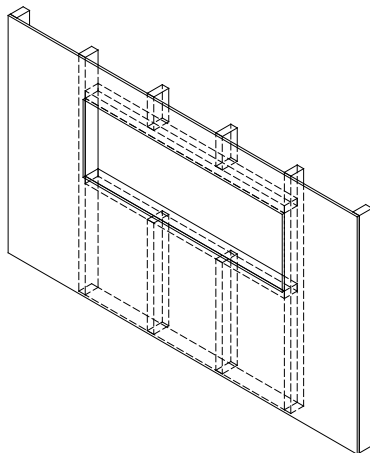
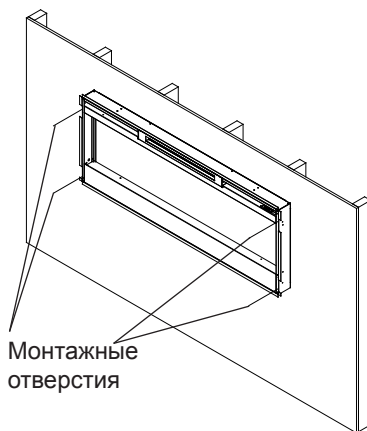


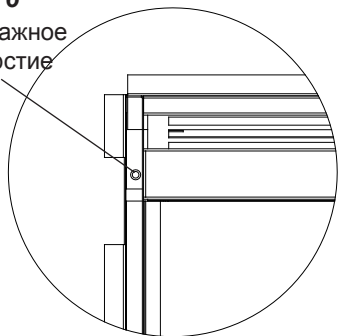
Рис. 5



Установка камина

Рис. 6


Монтажное отверстие



Выкл ("О") и что до завершения установки электрическая цепь, в которой должен быть установлен электрокамин, отключена на эксплуатационной панели.

1. Поднимите камин и вставьте его в нишу (рис. 5).
2. С помощью пузырькового уровня (входит в комплект поставки) выровняйте камин внутри каркаса. При необходимости отрегулируйте.
3. Вверните 4 (четыре) входящих в комплект поставки установочных винта через 4 (четыре) монтажных отверстия, расположенных в каждом углу каркаса камина, в каркасные стойки (рис. 6).
4. Заключительные процедуры установки см. в разделе "Установка переднего стекла".

Установка заподлицо Установка - глубина 200 мм

 **ОСТОРОЖНО:** Для выполнения различных этапов этой процедуры необходимы два человека.

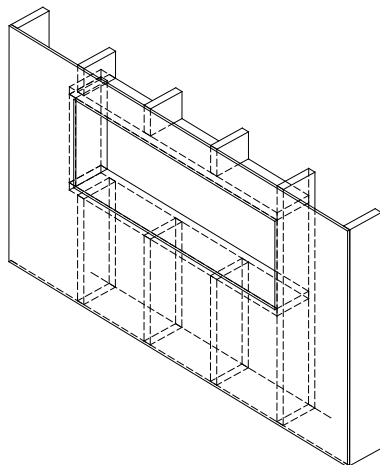
1. Подготовьте стену с обрамлённой нишей шириной 124,5 см и высотой 47 см (рис. 7).

! ПРИМЕЧАНИЕ: Для облегчения установки вокруг каминной вставки допускается изменение размера в 6,4 мм. Этот камин не требует дополнительной вытяжки.

2. Выберите нужный метод подачи электропитания к изделию:
 - Подключение к розетке (Вы можете подключить шнур питания от обрамлённой ниши к существующей розетке или установить розетку на прилегающую каркасную стойку).
 - Фиксированное подключение камина.

! ПРИМЕЧАНИЕ: Для фиксированного электромонтажа необходимо снять штепсельную вилку

Рис. 7



с изготовленного на заводе провода и выполнить разводку в соответствии с государственными и локальными нормами на электрические параметры.

⚠ ВНИМАНИЕ: Не пытайтесь самостоятельно устанавливать новые розетки или цепи. Чтобы уменьшить опасность пожара, поражения электрическим током или травмирования, всегда пользуйтесь услугами дипломированного электрика.

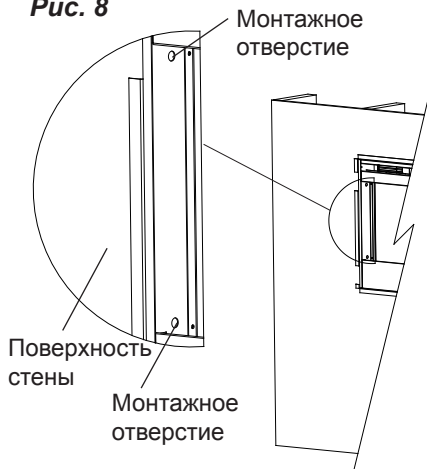
Убедитесь, что 3-позиционный выключатель установлен в положение Выкл ("О") и что до завершения установки электрическая цепь, в которой должен быть установлен электрокамин, отключена на эксплуатационной панели.

3. Поднимите камин и вставьте его в нишу. Установочная накладка электрокамина должна быть вровень со стеной (рис. 8).
4. С помощью пузырькового уровня (входит в комплект поставки) выровняйте камин внутри каркаса. При необходимости отрегулируйте.
5. Вверните 4 (четыре) входящих в комплект поставки установочных винта через четыре монтажных отверстия (4), расположенных на внутренней поверхности каркаса камина, в каркасные стойки (рис. 8).
6. Заключительные процедуры установки см. в разделе "Установка переднего стекла".

Установка переднего стекла

1. Равномерно распределите входящие в комплект поставки стеклянные камешки на переднем поддоне электрокамина (рис. 9).

Рис. 8



2. Тщательно смонтируйте сборку переднего стекла так, чтобы крюки переднего стекла (4) были прочно закреплены на креплениях переднего стекла на электрокамине (4) (рис. 10).
3. С помощью входящих в комплект поставки 2 (двух) винтов для листового металла Phillips прикрепите петли сборки стекла к электрокамину (рис. 11).
4. Убедитесь, что 3-позиционный выключатель электрокамина установлен в положение Выкл ("О").
5. Если изделие не жёстко смонтировано, подключите электрокамин к розетке на 13 А, 230 В (см. ПРИМЕЧАНИЕ 1).



Установка камина

Рис. 9

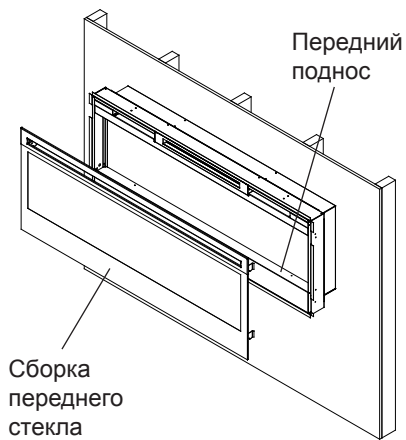


Рис. 10

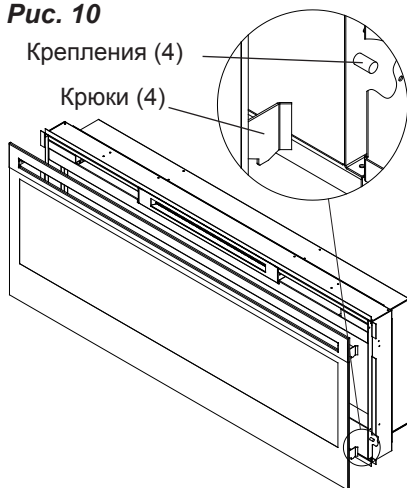
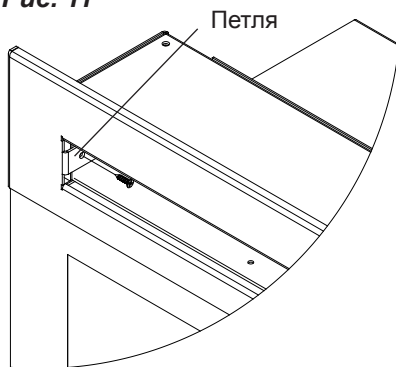
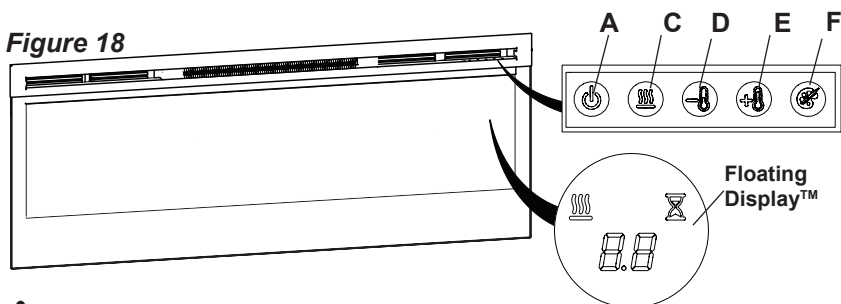


Рис. 11



👉 Operation

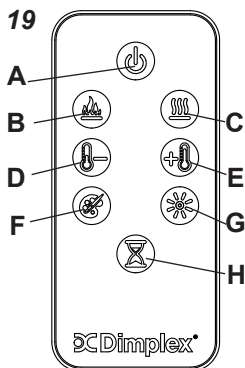
Figure 18



⚠️ ПРЕДОСТЕРЕЖЕНИЕ: Перед использованием следует надлежащим образом установить эту топочную камеру. Этим устройством следует управлять с помощью ручных средств, расположенных в верхней части топочного устройства, или пульта (Рис. 18 и 19). Топочная камера поставляется вместе с многофункциональным ИК-пультом.

! ПРИМЕЧАНИЕ: Для адекватной работы пульт должен

Figure 19



быть направлен к дисплею Floating Display™.

A. Режим ожидания


Включает и отключает устройство.

- Активируется при нажатии кнопки режима ожидания на пульте или устройстве.
- При включении устройство сохранит те же функции, на которые было настроено при выключении, и температура впуска будет выведена на Дисплей.

! ПРИМЕЧАНИЕ: Если нажата любая кнопка, температура впуска демонстрируется на дисплее в течение пяти секунд.


B. Эффект пламени


Включает и отключает эффект пламени.

- Активируется при нажатии  кнопки на устройстве или пульте.


C. Обогрев ВКЛ/ВЫКЛ

Циклично последовательно проводит устройство через 2 настройки: высокий обогрев и отключен.

→ Активируется при нажатии кнопки  режима ожидания на пульте или устройстве.

- Демонстрируется  значок и температура впуска на Дисплее в течение 5 секунд перед отключением.

! ПРИМЕЧАНИЕ: После отключения обогревателя в течение 60 секунд продолжает работать вентилятор в режиме задержки, затем отключается.


! ПРИМЕЧАНИЕ: Это устройство может работать в режиме **Только обогрев**. Когда устройство работает только как обогреватель,  значок постоянно отображается на Дисплее.


! ПРИМЕЧАНИЕ: Обогреватель может издавать легкий безвредный запах при первом использовании. Этот запах является нормальным явлением, он вызван первичным нагревом внутренних частей устройства и не возникнет снова.

D & E. Термореле

Настраивает точку установки температуры согласно вашим индивидуальным требованиям. При достижении установленной температуры обогреватель отключится. Обогреватель продолжит работать циклами включения и отключения для поддержания желаемой температуры. Настройка температуры по умолчанию 72°F (22°C).



→ Настраивается нажатием

, чтобы снизить точку

настройки, и , чтобы повысить данную точку на устройстве или пульте.

- На Дисплей будет выведена настроенная точка температуры.

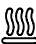

! ПРИМЕЧАНИЕ: Удерживание

 и  нажатых кнопок в течение двух секунд на устройстве изменит температуру с °C на °F и наоборот.



Отключение обогрева

По желанию и в зависимости от сезона можно отключить обогреватель устройства. Устройство продолжит работать в том же режиме с сохранением контрольных установок.

Operation

Нажатие  и  кнопок на устройстве одновременно с удерживанием в течение 2 секунд отключит или включит обогреватель.

! ПРИМЕЧАНИЕ: При отключении обогревателя или нажа-

тии  +  на Дисплей выводится «--».


F. Настройки цвета

Устройство оснащено разными предустановленными цветами оформления подсветки.

→ Изменяется несколькими нажатиями соответствующей кнопки на пульте или устройстве.

- Переключает разные предустановленные варианты цветового оформления подсветки устройства, это включает различные комбинации цветов основания пламени и подсветки среды.

! ПРИМЕЧАНИЕ: Последняя тема цикла представляет собой призму, когда устройство проходит через циклы изменения цвета. Нажатие кнопки

 останавливает этот цикл и останавливает устройство на выбранном цвете, обозначается

на дисплее как U — «разморозить» или F — «заморозить».

G. Яркость

Изменение яркости подсветки устройства.


→ Настраивается несколькими нажатиями кнопки режима ожидания на пульте.

- Обозначается второй цифрой на дисплее Floating Display™, которая изменяется, чтобы показать: H (высокий) и L (низкий).

H. Таймер сна

Таймер сна может быть настроен на автоматическое выключение камина по истечении установленного времени (от 30 минут до 8 часов).


→ Чтобы установить таймер нажмите кнопку таймера на пульте или устройстве несколько раз до выведения на дисплей желаемого времени.

- На Дисплей будет выведено разное время согласно настройке. После запуска таймера нажатие кнопки  выведет на дисплей время оставшееся до отключения.

! ПРИМЕЧАНИЕ: Таймер сна



Техобслуживание

может быть отключен в любой момент несколькими нажатиями кнопки  до тех пор, пока таймер перестанет отображать что-либо.

Перенастройка температурного выключателя

В случае перегрева обогревателя, автоматический выключатель отключит обогреватель и не вернется к работе без последующей перенастройки. Его можно перезапустить, отключив устройство от питания и подождав 5 минут, а затем снова подключив к сети.

⚠ ВНИМАНИЕ: Если вам часто приходится перезапускать обогреватель, отключите устройство и позвоните в службу технической поддержки 1-888-346-7539.

Замена батареи пульта управления

Чтобы заменить батарею,

1. скользким движением откройте крышку батареи на пульте.
2. Правильно установите одну батарею 3 Вольта (CR2032 [увеличенный срок службы])

или CR2025) в держатель батареи.

3. Закройте крышку батареи.

Батарея должна быть переработана или надлежащим образом удалена.

Узнайте о возможностях переработки у местных



властей или ретейлера в вашем регионе.



Техобслуживание

⚠ ВНИМАНИЕ! Чтобы избежать пожара, поражения электрическим током или травмирования людей, отключайте подачу питания перед тем как, чистить устройство или заниматься его техобслуживанием.

Чистка частично отражающего стекла

Частично отражающее стекло подвергается чистке на заводе во время сборки. Во время перевозки, установки, обработки и т.д. частично отражающее стекло может собирать частицы пыли; их можно удалить с помощью чистой сухой ткани.

Чтобы удалить отпечатки пальцев или другие следы, частично отражающее стекло можно чистить влажной тканью. Для предотвращения образования водяных пятен

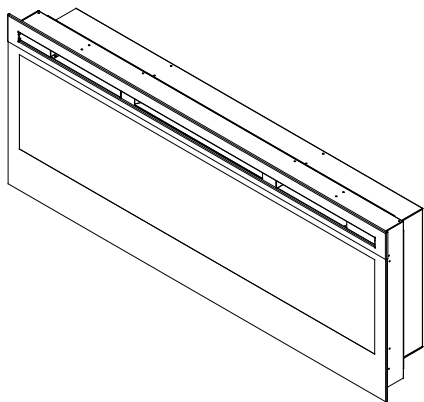
частично отражающее стекло необходимо полностью высушить с помощью ткани без ворса. Чтобы предотвратить образование царапин, не используйте абразивные чистящие средства.

Чистка поверхности электрокамина

Для чистки окрашенных поверхностей камина используйте только влажную ткань. Не используйте абразивные чистящие средства.

Обслуживание

Кроме описанных в настоящем руководстве установки и чистки, все другие виды обслуживания должны выполняться полномочным представителем сервис-центра.



Manuel d'utilisation

Modèle
BLF5051-INT

EN

RU







FR

ES

CONSIGNES DE SÉCURITÉ IMPORTANTES : Lire d'abord ce manuel avant d'essayer d'installer ou d'utiliser ce foyer. Pour votre sécurité, toujours respecter les avertissements et les consignes de sécurité indiqués dans ce manuel afin de prévenir les blessures ou les dommages matériels.



Table des matières

	Bienvenue et félicitations	40
	INSTRUCTIONS DE SÉCURITÉ IMPORTANTES . . .	41
	Guide de référence rapide	44
	Installation du foyer	45
	Choix de l'emplacement	45
	Installation en surface	46
	Montage mural encastré - profondeur 100 mm	48
	Montage en affleurement - profondeur 200 mm	49
	Installation de la vitre frontale	51
	Fonctionnement	52
	Entretien	56

Toujours faire appel à un technicien qualifié ou une entreprise de services d'entretien pour la réparation du foyer.

Un brusque changement de température (par exemple déplacer l'appareil d'un endroit exposé au gel à une pièce chauffée) peut provoquer une condensation de l'humidité à l'intérieur de l'appareil et perturber son bon fonctionnement lors de sa mise en marche.

Après avoir été transporté ou remis à l'air libre sous une température négative, l'appareil doit être conservé dans une pièce chauffée

pendant au moins 3 heures, après quoi il pourra être mis en service.

! REMARQUE : Procédures et techniques dont l'importance justifie qu'on les mentionne.

⚠ MISE EN GARDE : Procédures et techniques qui, si elles ne sont pas suivies avec précautions, endommageront l'équipement.

⚠ AVERTISSEMENT : Procédures et techniques dont le non-respect expose l'utilisateur à un risque d'incendie ou à des blessures graves voire mortelles.

Bienvenue et félicitations

Merci et félicitations d'avoir acheté un foyer électrique de Dimplex, principal fabricant mondial de foyers électriques.

Merci de lire ces instructions avec attention et de les conserver.

⚠ ATTENTION: Lire l'ensemble des instructions et avertissements avec attention avant de débiter l'installation. Le non-respect de ces instructions implique un risque d'électrocution et d'incendie, en plusgarantie.

Merci de noter ci-dessous les numéros de modèle et de série de votre appareil pour pouvoir les retrouver ultérieurement : les numéros de modèle et de série se trouvent sur l'étiquette du numéro de modèle et du numérode série de votre foyer.



**PAS BESOIN DE
RETOURNER AU
MAGASIN**

Des questions à propos de l'assemblage ?

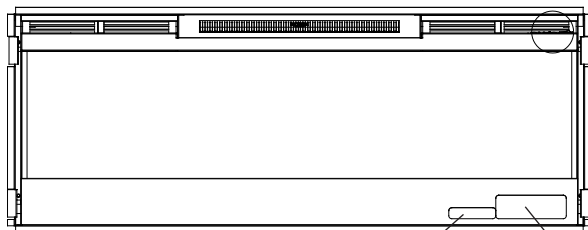
Besoin d'informations sur des pièces détachées ?

Besoin d'informations à propos d'un produit sous une garantie du fabricant ?



Contactez votre vendeur local

Veillez avoir à portée de main les numéros de modèle et de série de votre appareil. (Voir ci-dessous)



Étiquette du
numéro de série

Étiquette
signalétique



INSTRUCTIONS DE SÉCURITÉ IMPORTANTES

Lire toutes les instructions avant d'utiliser cet appareil.

Lors de l'utilisation d'appareils électriques, toujours prendre des précautions élémentaires afin de réduire les risques d'incendie, d'électrocution et de blessure, notamment :

1. Si l'appareil est endommagé, consulter le fournisseur avant toute installation ou utilisation.
2. Ne pas utiliser à l'extérieur.
3. Ne pas utiliser à proximité immédiate d'une baignoire, d'une douche ou d'une piscine.
4. Ne pas placer l'appareil de chauffage juste en dessous d'une prise murale ou d'un boîtier de connexion.
5. Cet appareil peut être utilisé par un enfant à partir de l'âge de huit ans, par une personne ayant un handicap physique, sensoriel ou mental, ou un manque d'expérience ou de connaissances, si elle est supervisée ou a reçu les instructions appropriées pour utiliser l'appareil en toute sécurité et en comprenant les risques possibles. Les enfants ne doivent pas jouer avec cet appareil. Son nettoyage et son entretien ne doivent pas être effectués par des enfants laissés sans surveillance.
6. Les enfants âgés de moins de 3 ans doivent être tenus à distance de l'appareil, à moins qu'ils ne soient surveillés en permanence. Les enfants âgés de 3 ans et plus et de moins de 8 ans peuvent uniquement allumer/éteindre l'appareil, pourvu qu'il soit placé ou installé dans sa position d'utilisation normale, qu'ils bénéficient d'une surveillance ou d'instructions quant à l'utilisation de l'appareil de façon sécurisée et qu'ils comprennent les risques encourus. Les enfants de trois à huit ans ne doivent pas brancher, régler ou nettoyer l'appareil ou effectuer aucune des opérations



INSTRUCTIONS DE SÉCURITÉ IMPORTANTES

de nettoyage et d'entretien réalisables par l'utilisateur.

7. Ne pas utiliser l'appareil de chauffage en série avec un régulateur thermique, un système de commande programmé, une minuterie ou tout autre dispositif déclenchant automatiquement de la chaleur, car il existe un risque d'incendie lorsque l'appareil de chauffage est accidentellement recouvert ou déplacé.
 8. Cet appareil de chauffage n'est pas équipé d'un dispositif de contrôle de la température ambiante. Ne pas utiliser cet appareil dans de petites pièces si elles sont occupées par des personnes incapables d'en sortir par elles-mêmes, sauf si elles sont surveillées en permanence.
 9. S'assurer que les meubles, rideaux et autres objets combustibles sont placés à plus d'un mètre de l'appareil.
 10. Débrancher l'appareil en cas d'anomalie.
 11. Débrancher l'appareil lorsque celui-ci n'est pas utilisé pendant une période prolongée.
 12. Bien que cet appareil de chauffage soit conforme aux normes de sécurité, nous recommandons de ne pas l'utiliser sur une moquette extra-épaisse ou sur des tapis à poils longs.
 13. L'appareil doit être placé de sorte que la fiche électrique soit accessible.
 14. Si le cordon d'alimentation est endommagé, il doit être remplacé par le fabricant, l'agent d'entretien ou une personne de qualification similaire afin d'éviter tout danger.
 15. Maintenir le cordon d'alimentation éloigné de l'avant de l'appareil.
-




INSTRUCTIONS DE SÉCURITÉ IMPORTANTES

⚠ AVERTISSEMENT : Afin d'éviter tout risque de surchauffe, ne jamais couvrir l'appareil. Ne pas placer de matériaux ou de vêtements sur l'appareil de chauffage ou entraver la circulation d'air autour de l'appareil avec des rideaux ou des meubles par exemple, car ceci est susceptible de causer une surchauffe et un risque d'incendie.

⚠ AVERTISSEMENT : Pour éviter les risques liés à la réinitialisation accidentelle du disjoncteur thermique, cet appareil ne doit pas être alimenté à travers un dispositif de commutation externe, tel qu'une minuterie, ni branché sur un circuit alternativement mis hors et sous tension.

⚠ MISE EN GARDE : Certains des éléments de cet appareil peuvent devenir très chauds et provoquer des brûlures. Être très attentif lorsque des enfants et des personnes vulnérables sont présents.

L'appareil de chauffage porte le symbole d'avertissement  qui indique qu'il ne doit pas être couvert

CONSERVER CES INSTRUCTIONS



Guide de référence rapide

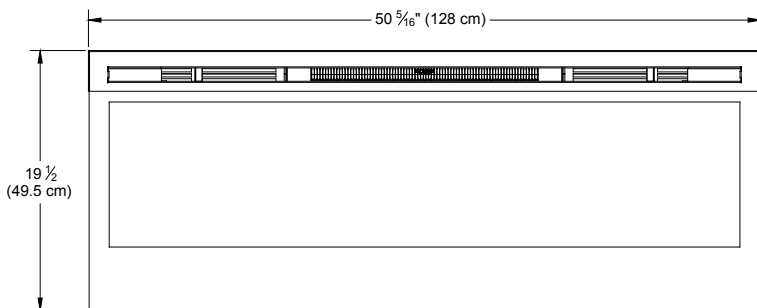
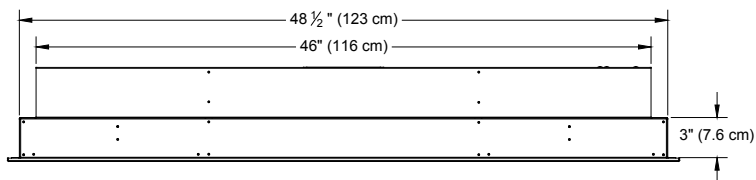
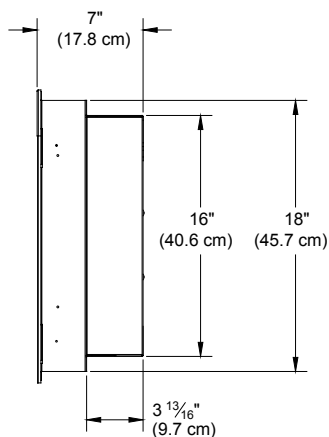
① Les informations électriques concernant votre foyer électrique se trouvent sur l'étiquette située sur la partie avant de l'appareil, derrière la vitre.

Avant de l'installer, noter le numéro de série de votre foyer indiqué en bas pour future référence.

② Si vous avez des questions ou des problèmes techniques concernant le fonctionnement de votre foyer électrique, ou qu'il a besoin d'être réparé, contactez notre service clients.

③ Les dimensions de votre foyer sont indiquées sur la Figure 1.

Figure 1



Installation du foyer

Choix de l'emplacement

Pour l'installation, examiner et tenir compte de l'ensemble des conditions suivantes :

- Dimensions de l'appareil : 128 cm x 49,5 cm
- Pour pouvoir être installé en toute sécurité, l'appareil nécessite au minimum deux (2) montants muraux

Il existe trois méthodes d'installation possibles :

- Méthode d'installation : montage en surface, montage mural encastré ou montage en affleurement
- Méthode par câblage ou branchement sur prise

⚠ AVERTISSEMENT : Veiller à ce que le cordon d'alimentation ne soit pas installé de façon à être pincé ou à se trouver contre une bordure tranchante. Veiller à ce qu'il soit correctement rangé ou fixé pour éviter tout risque de chute ou de trébuchement et de réduire le risque d'incendie, de choc électrique ou de dommages aux personnes.

Afin de réduire les risques d'incendie, de choc électrique ou de dommages aux personnes, la construction et le câblage des prises électriques doivent être conformes aux codes locaux du bâtiment et à toutes autres

réglementations applicables.

1. Choisir un emplacement non exposé à l'humidité et éloigné de rideaux, meubles et circulation importante.
2. Pour simplifier le branchement électrique, vous pourriez choisir de placer le foyer près d'une prise électrique existante (pour un raccordement pratique).

! REMARQUE 1 : un circuit de 13 ampères et de 230 volts est requis. Un circuit dédié est préférable mais non essentiel dans tous les cas. Il sera nécessaire si, après l'installation, le disjoncteur se déclenche ou que le fusible fond de façon régulière lorsque l'appareil fonctionne. Des appareils électriques supplémentaires sur le même circuit pourraient dépasser le courant nominal du disjoncteur.

3. Retirer du carton le foyer, sa vitre et le matériel et se débarrasser de tous les emballages avant de procéder à l'installation.
4. Stocker le foyer dans un endroit sûr, sec et à l'abri de la poussière jusqu'à ce que vous soyez, prêt à l'installer.

Le foyer est fourni avec une prise à trois broches pour faciliter son branchement. Il est également

Installation du foyer

possible de procéder au câblage du foyer en retirant la fiche du cordon d'origine et en effectuant le câblage conformément aux codes de l'électricité locaux et nationaux.

⚠ AVERTISSEMENT : n'essayez pas de brancher vous-même vos nouvelles prises ou circuits. Pour réduire le risque d'incendie, de choc électrique ou de blessures aux personnes, toujours faire appel à un électricien agréé.

⚠ AVERTISSEMENT : veiller à ce que le commutateur à 3 positions soit en position Arrêt (« O ») et que le circuit sur lequel le foyer doit être installé soit coupé à partir du panneau électrique, et ce jusqu'à ce que l'installation soit terminée.

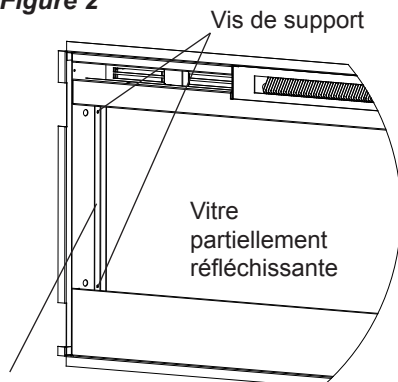
Installation en surface

⚠ MISE EN GARDE : deux personnes peuvent être nécessaires afin de procéder aux diverses étapes de cette procédure.

1. Choisir un endroit où monter l'appareil.
2. Choisir la méthode d'alimentation électrique de l'appareil :
 - Brancher à une prise existante ou installer une prise à proximité.
 - Câbler le foyer.

! REMARQUE : Il est également possible de procéder au câblage

Figure 2



Élément de fixation de la vitre

en retirant la fiche du cordon d'origine et en effectuant le câblage conformément aux codes de l'électricité locaux et nationaux.

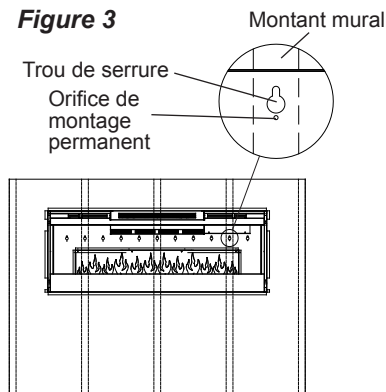
⚠ AVERTISSEMENT : n'essayez pas de brancher vous-même vos nouvelles prises ou circuits. Pour réduire le risque d'incendie, de choc électrique ou de blessures aux personnes, toujours faire appel à un électricien agréé.

Veiller à ce que le commutateur à 3 positions soit en position Arrêt (« O ») et que le circuit sur lequel le foyer doit être installé soit coupé à partir du panneau électrique, et ce jusqu'à ce que l'installation soit terminée.

3. Retirer du foyer la vitre partiellement réfléchissante :
 - Poser le foyer à plat sur le sol.
 - Retirer les deux (2) vis

Installation du foyer

Figure 3



- cruciformes de chacun des deux (2) éléments de fixation de la vitre (Figure 2).
- Retirer les éléments de fixation de la vitre.
- Avec une main, exercer une pression continue sur la vitre partiellement réfléchissante, redresser le foyer pour permettre à la vitre de sortir du cadre.
- Retirer du foyer la vitre partiellement réfléchissante.

1. Placer le foyer sur un mur à l'endroit où il sera monté (Figure 3). Utiliser un niveau à bulle (fourni) pour garantir que le foyer est bien de niveau sur le mur.
2. Marquer l'emplacement des quatre (4) vis sur le mur (au travers des trous de serrure).

⚠ MISE EN GARDE : si l'appareil est installé sur un mur en cloison sèche, utiliser des dispositifs d'ancrage au mur appropriés et s'assurer qu'un au moins soit situé dans un montant.

3. Retirer le foyer du mur et le ranger dans un endroit sûr où personne ne circule.
4. Visser les quatre (4) vis de montage à tête carrée #8 de 3,8 cm et leurs rondelles dans le mur et/ou les dispositifs d'ancrage au mur, en laissant 6,5 mm de filetage.
5. Aligner les trous de serrure choisis avec les vis et suspendre le foyer au mur. Les têtes de vis et les rondelles passeront à travers les trous de serrure et le foyer se mettra en place (les vis glisseront dans la partie étroite des trous de serrure).
6. Serrer les quatre (4) vis de montage sur le châssis du foyer.
7. Visser les deux (2) vis à tête carrée #8 fournies à travers les deux orifices de montage permanent alignés sur un montant mural.
8. Replacer et installer soigneusement la vitre

Installation du foyer

partiellement réfléchissante et les éléments de fixation de la vitre en utilisant les vis mentionnées à l'étape 1.

9. Pour les procédures d'installation finales, consulter la section sur l'installation de la vitre frontale.

Montage mural encastré - profondeur 100 mm

⚠ MISE EN GARDE : deux personnes peuvent être nécessaires afin de procéder aux diverses étapes de cette procédure.

1. Préparer un mur avec une ouverture de 118,1 cm de large x 42 cm de haut (Figure 4).

! REMARQUE : ces dimensions laissent un espace supplémentaire de 6,4 mm tout autour du foyer encastrable afin d'en faciliter l'installation. Ce foyer ne nécessite pas de ventilation supplémentaire.

2. Choisir la méthode d'alimentation électrique de l'appareil :
 - Brancher l'appareil (vous pouvez faire passer le cordon d'alimentation par l'ouverture dans le mur et le brancher sur une prise existante ou bien en installer une nouvelle sur un montant à l'intérieur du mur situé à proximité).
 - Câbler le foyer.

Figure 4

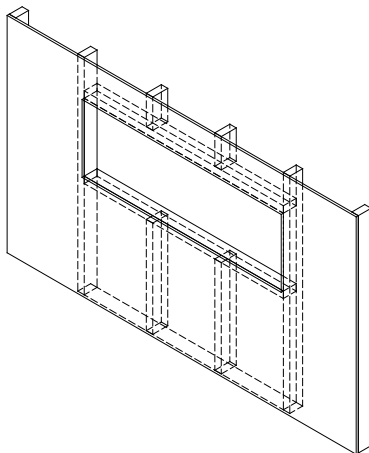
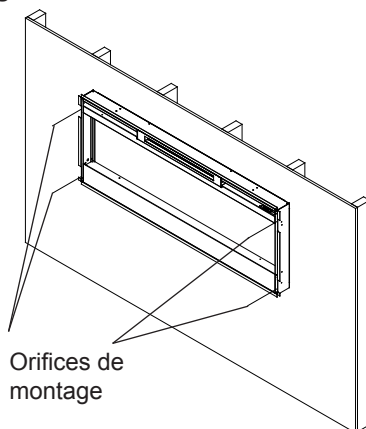


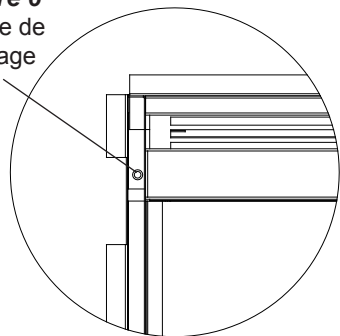
Figure 5



Installation du foyer

Figure 6

Orifice de montage



! REMARQUE : Il est également possible de procéder au câblage en retirant la fiche du cordon d'origine et en effectuant le câblage conformément aux codes de l'électricité locaux et nationaux.

⚠ AVERTISSEMENT : n'essayez pas de brancher vous-même vos nouvelles prises ou circuits. Pour réduire le risque d'incendie, de choc électrique ou de blessures aux personnes, toujours faire appel à un électricien agréé.

Veiller à ce que le commutateur à 3 positions soit en position Arrêt (« O ») et que le circuit sur lequel le foyer doit être installé soit coupé à partir du panneau électrique, et ce jusqu'à ce que l'installation soit terminée.

1. Soulever le foyer et l'insérer dans l'ouverture (Figure 5).
2. Utiliser le niveau à bulle (fourni) afin de mettre le foyer de niveau dans l'encadrement. Ajuster si

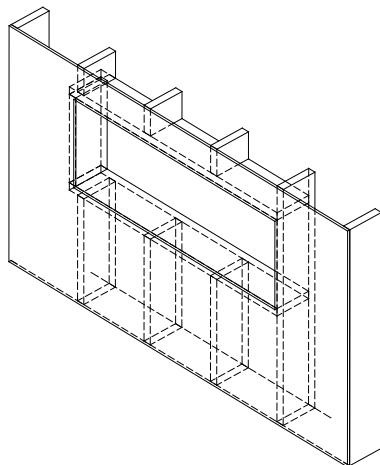
nécessaire.

3. Introduire les quatre (4) vis de montage fournies dans les quatre (4) orifices de montage situés sur chaque coin du châssis du foyer, dans les montants muraux (Figure 6).
4. Pour les procédures d'installation finales, consulter la section sur l'installation de la vitre frontale.

Montage en affleurement - profondeur 200 mm

⚠ MISE EN GARDE : deux personnes peuvent être nécessaires afin de procéder aux diverses étapes de cette procédure.

Figure 7



Installation du foyer

1. Préparer un mur avec une ouverture de 124,5 cm de large x 47 cm de haut (Figure 7).

! REMARQUE : ces dimensions laissent un espace supplémentaire de 6,4 mm tout autour du foyer encastrable afin d'en faciliter l'installation. Ce foyer ne nécessite pas de ventilation supplémentaire.

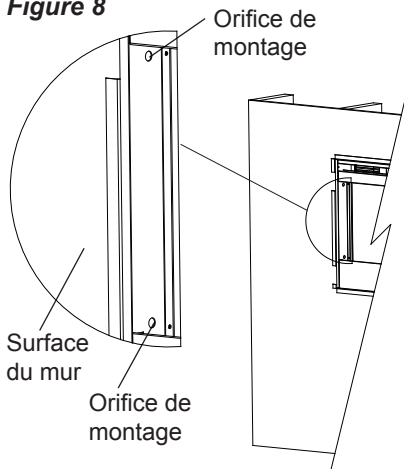
2. Choisir la méthode d'alimentation électrique de l'appareil :
 - Brancher l'appareil (vous pouvez faire passer le cordon d'alimentation par l'ouverture dans le mur et le brancher sur une prise existante ou bien en installer une nouvelle sur un montant à l'intérieur du mur situé à proximité).
 - Câbler le foyer.

! REMARQUE : Il est également possible de procéder au câblage en retirant la fiche du cordon d'origine et en effectuant le câblage conformément aux codes de l'électricité locaux et nationaux.

⚠ AVERTISSEMENT : n'essayez pas de brancher vous-même vos nouvelles prises ou circuits. Pour réduire le risque d'incendie, de choc électrique ou de blessures aux personnes, toujours faire appel à un électricien agréé.

Veiller à ce que le commutateur à 3 positions soit en position Arrêt (« O »)

Figure 8



et que le circuit sur lequel le foyer doit être installé soit coupé à partir du panneau électrique, et ce jusqu'à ce que l'installation soit terminée.

3. Soulever le foyer et l'insérer dans l'ouverture. L'encastrement du foyer devrait être parfaitement aligné sur la surface du mur (Figure 8).
4. Utiliser le niveau à bulle (fourni) afin de mettre le foyer de niveau dans l'encadrement. Ajuster si nécessaire.
5. Introduire les quatre (4) vis de montage fournies dans les quatre (4) orifices de montage situés sur la surface interne du châssis du foyer, dans les montants muraux (Figure 8).
6. Pour les procédures d'installation finales, consulter la section sur l'installation de la vitre frontale.

Installation du foyer

Figure 9

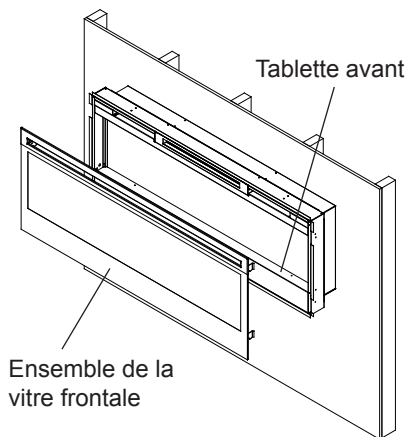
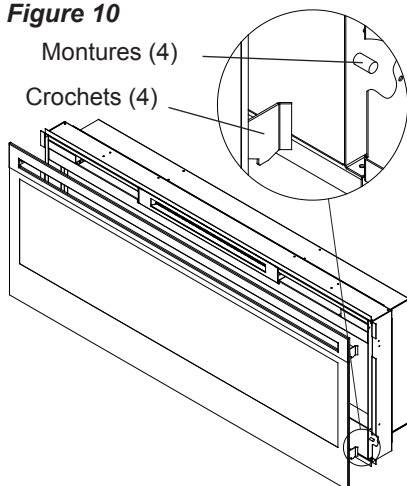


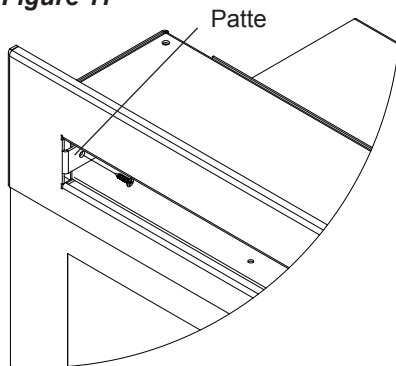
Figure 10



Installation de la vitre frontale

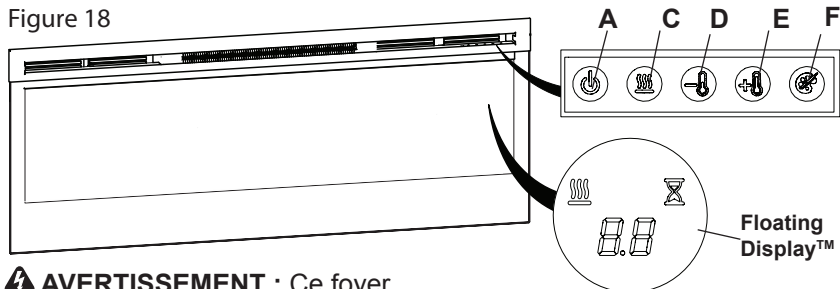
1. Répartir de manière uniforme les galets de verre fournis sur la tablette avant du foyer (Figure 9).
2. Fixer soigneusement l'ensemble de vitre frontale pour que les crochets de la vitre frontale (4) soient suspendus sur les montants de la vitre frontale du foyer (4) (Figure 10).
3. Utiliser les deux (2) vis à tête cruciformes fournies pour fixer les pattes de montage de la vitre au foyer (Figure 11).
4. S'assurer que le commutateur à 3 positions du foyer soit en position Arrêt (« O »).
5. Si l'appareil n'a pas de câblage, brancher le foyer à une prise de 13 Amp, 230 V (voir la REMARQUE 1).

Figure 11



Utilisation

Figure 18



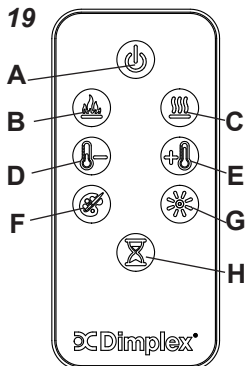
AVERTISSEMENT : Ce foyer électrique doit être installé correctement avant son utilisation. L'appareil peut être commandé à l'aide des commandes manuelles situées dans la partie supérieure droite du foyer ou à distance (Figures 18 et 19).

Le foyer est livré avec une télécommande multifonction à RI.

! NOTE: Pour qu'elle fonctionne correctement, la télécommande doit être pointée vers le Floating Display^{MC}.

A. Mode veille

Figure 19



Met en marche et arrête l'appareil.


→ Activé en appuyant sur la touche de veille (Standby) de la télécommande ou de l'appareil.

- L'appareil se met en marche en activant les mêmes fonctions qui étaient réglées au moment de l'arrêt, et la température de l'air d'admission est indiquée à l'afficheur frontal.

! NOTE: À la pression de n'importe quelle touche, la température de l'air d'admission apparaît à l'afficheur frontal pendant 5 secondes.

B. Effets de flamme

Met en marche et arrête la effets de flamme.


→ Activé en appuyant sur la touche  de la télécommande.


C. Interrupteur de chaleur

Les cycles de manière séquentielle de l'unité à travers les 2 paramètres : forte chaleur et


Utilisation

désactivé.

→ Activé en appuyant sur la touche  de l'appareil ou de la télécommande.

- Indiqué par l'icône  et en fonction du réglage de la température de l'air d'admission à l'afficheur frontal, pendant 5 secondes avant de s'arrêter.

! NOTE: Après que le chauffage est désactivé il ya un retard ventilateur 60 secondes, où le ventilateur continue de tourner avant d'éteindre.


! NOTE: L'appareil peut fonctionner en mode de **chauffage seulement** (sans bûches ni flammes). Lorsque l'appareil fonctionne en mode de chauffage seulement, l'icône  et la température de l'air d'admission apparaît de façon continue à l'afficheur frontal.


! NOTE: Au cours de la première utilisation, la fonction de chauffage peut dégager une légère odeur inoffensive. Cette situation, provoquée par le chauffage initial des dispositifs de chauffage internes du foyer, est normale et ne devrait plus se produire par la suite.

D & E. Touches de commande du thermostat



Règle la température en fonction de vos besoins individuels. Une

fois la température souhaitée atteinte, la fonction de chauffage s'arrêtera. Cette dernière se réactivera et se désactivera par cycles afin de maintenir la température souhaitée. Par défaut, la température réglée est de 22 °C (72 °F).

→ Réglé en appuyant sur  pour diminuer le réglage et sur

 pour augmenter au moyen de l'appareil ou de la télécommande.



- L'afficheur frontal indique le réglage de température.

! NOTE: Maintenir enfoncée la touche  et la touche  de l'appareil pendant deux secondes pour faire alterner les échelles de température entre les degrés °C et °F.

Désactivation de la fonction de chauffage



Si désiré, selon la saison, la fonction de chauffage de l'appareil peut être désactivée. L'appareil fonctionnera normalement à l'aide des autres commandes.

En appuyant simultanément sur

les touches  et  de l'appareil et en les maintenant enfoncées pendant 2 secondes, la fonction de chauffage se désactive et se réactive.

! NOTE: Lorsque la fonction de

Utilisation

chauffage est désactivée et que la touche  ou  est pressée, l'afficheur frontal indique "--".


F. Thèmes de couleurs

L'appareil comporte différentes combinaisons d'éclairage ambiant et de couleurs.

→ Changé en appuyant à répétition sur la touche correspondante de la télécommande ou de l'appareil.

- Active alternativement les différents paramètres d'éclairage ambiant de l'appareil, soit les diverses combinaisons de couleurs des ampoules bas ainsi que de l'éclairage des matériaux incandescents.

! NOTE: Le dernier thème du cycle est un prisme, ou les cycles de l'unité à travers une variété de couleurs.

Appuyer sur la touche  à arrête le cycle et tient l'unité de la couleur préférée, indiquée par un "U" - débloquera ou d'un "F" - gèlera..

G. Clarté

Pour modifier la clarté de l'éclairage de l'appareil.

→ Réglé en appuyant à répétition sur la touche correspondante de la télécommande.

- Indiqué par le deuxième chiffre sur le Floating Display™ changer de montrer : «H» (élevée) et «L» (faible).

H. Minuterie d'arrêt automatique

La minuterie d'arrêt automatique peut être réglée pour arrêter automatiquement le foyer après un délai prédéfini (de 30 minutes à 8 heures).

→ Pour régler la minuterie, presser la touche de la minuterie de la télécommande ou de l'appareil jusqu'à ce que le délai désiré s'affiche.

- L'afficheur frontal indiquera les différents délais réglés. Une fois que la minuterie se met en marche, appuyer sur la touche



pour afficher le temps résiduel avant que l'appareil ne s'arrête.

! NOTE: Il est possible d'annuler la minuterie d'arrêt automatique en tout temps en appuyant de nombreuses fois sur la touche



jusqu'à ce que la minuterie n'affiche plus rien.

Réarmement du disjoncteur du circuit de la température

En cas de surchauffe, un interrupteur éteindra automatiquement l'appareil, qui ne pourra être remis en marche tant que le disjoncteur n'aura pas été réarmé. Il peut être réinitialisée en débranchant l'appareil et attendre 5 minutes avant de rebrancher l'unité dans.

Remplacement de la pile de la télécommande

Pour remplacer la pile :

1. Ouvrir le compartiment à pile situé sur la télécommande.
2. Installer correctement une pile de 3 volts (CR2032 [plus la vie] ou CR2025) dans le compartiment à pile.
3. Refermer le compartiment à pile.

La batterie doit être recyclée ou éliminée de façon appropriée. Vérifiez auprès de votre municipalité ou votre revendeur pour obtenir des conseils dans votre région.





Entretien

⚠ AVERTISSEMENT : Couper l'alimentation avant de procéder à tout entretien ou nettoyage afin de réduire le risque d'incendie, d'électrocution ou de blessure.

Nettoyage de la vitre partiellement réfléchissante

La vitre partiellement réfléchissante a été nettoyée à l'usine, lors de l'assemblage. Pendant le transport, l'installation, la manipulation etc., la vitre partiellement réfléchissante peut se couvrir de particules de poussière. Pour les faire disparaître, épousseter la vitre à l'aide d'un chiffon propre et sec.

Pour enlever les traces de doigts ou d'autres marques, nettoyer la vitre partiellement réfléchissante avec un

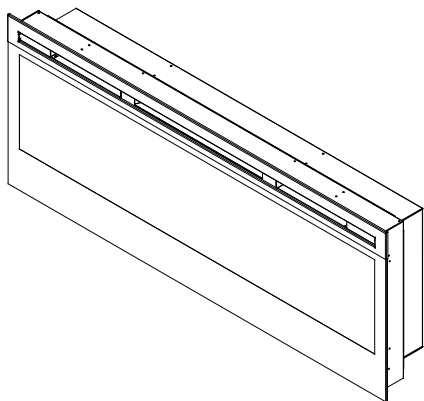
chiffon humide. Pour prévenir les taches d'eau, la vitre partiellement réfléchissante doit être entièrement séchée à l'aide d'un chiffon non pelucheux. Pour éviter de la rayer, ne pas utiliser de produits nettoyants abrasifs.

Nettoyage des surfaces du foyer

Nettoyer les surfaces peintes du foyer à l'aide d'un chiffon humide. Ne pas utiliser de produit nettoyant abrasif.

Entretien

Tout type d'entretien autre que l'installation et le nettoyage décrits dans ce manuel doit être effectué par un agent de service autorisé.



Manual del propietario

Modelo
BLF5051-INT

EN

RU







FR

ES

AVISO IMPORTANTE SOBRE SEGURIDAD: Lea este manual antes de tratar de instalar o utilizar esta chimenea. Por su seguridad, cumpla siempre todas las advertencias e instrucciones sobre seguridad contenidas en este manual para evitar lesiones personales o daños en sus pertenencias.



Contenido

	Bienvenida y felicitaciones	59
	INSTRUCCIONES IMPORTANTES SOBRE SEGURIDAD	60
	Guía de referencia rápida	63
	Instalación de la chimenea	64
	Selección de la ubicación	64
	Instalación en superficie	65
	Instalación en nicho en la pared - 100 mm de profundidad . . .	67
	Empotrada Instalación - 200 mm de profundidad	68
	Instalación del cristal delantero	69
	Funcionamiento	71
	Mantenimiento	75

Recorra siempre a los servicios de un técnico cualificado o agencia de servicio para la reparación de esta chimenea.

Un cambio repentino de temperatura (por ejemplo, llevar la unidad de escarcha a una habitación cálida) puede causar condensación de la humedad en el dispositivo y alterar su funcionamiento cuando se encienda.

El dispositivo, después de transportarlo o almacenarlo a una temperatura negativa del aire exterior, debe mantenerse en una habitación cálida durante al menos tres horas, después de lo cual podrá ponerse en funcionamiento.

! NOTA: Procedimientos y técnicas que se considera especialmente importante destacar.

! PRECAUCIÓN:
Procedimientos y técnicas que, de no seguirse atentamente, producirán daños al equipo.

! ADVERTENCIA:
Procedimientos y técnicas que, de no seguirse atentamente, expondrán al usuario a riesgo de incendio, lesiones graves o incluso la muerte.

Bienvenida y felicitaciones

Gracias y felicitaciones por elegir una chimenea eléctrica de Dimplex, líder mundial en chimeneas eléctricas.

Lea atentamente y guarde estas instrucciones.

⚠ PRECAUCIÓN: Lea atentamente todas las instrucciones y advertencias antes de comenzar la instalación. No seguir estas instrucciones puede tener como consecuencia una descarga eléctrica y peligro de incendio, además de dejar sin validez la garantía.

Registre a continuación el número de modelo y de serie para consultarlos en el futuro: encontrará los números de modelo y de serie en la Etiqueta de modelo y número de serie de su chimenea.



NO ES PRECISO VOLVER AL ESTABLECIMIENTO

¿Alguna pregunta sobre el montaje?

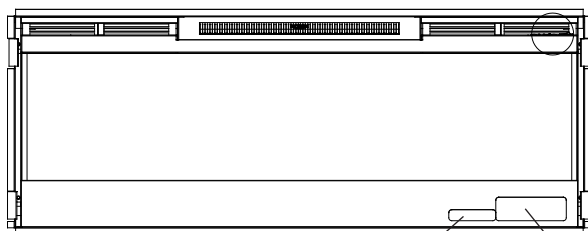
¿Necesita información sobre recambios?

¿El producto está en periodo de garantía del fabricante?



Llame a su distribuidor local

Tenga preparado el número de modelo y el número de serie del producto. (Ver más abajo)



Etiqueta de número de serie

Etiqueta de potencia nominal

INSTRUCCIONES IMPORTANTES SOBRE SEGURIDAD

Lea todas las instrucciones antes de utilizar este aparato.

Al utilizar aparatos eléctricos, deberán adoptarse en todo momento precauciones básicas para reducir riesgos de incendio, descarga eléctrica y lesiones personales, como por ejemplo:

1. Si el aparato está dañado, consulte al proveedor antes de la instalación y puesta en funcionamiento.
 2. No utilizar en exteriores.
 3. No utilizar cerca de un baño, ducha o piscina.
 4. No situar el aparato inmediatamente debajo de una toma de corriente fija o cuadro de conexiones.
 5. Este electrodoméstico puede ser utilizado por niños de 8 años en adelante y personas cuyas capacidades físicas, sensoriales o mentales estén disminuidas o que carezcan de la experiencia y conocimientos suficientes para manejarlo, siempre que cuenten con las instrucciones o la supervisión sobre el uso del electrodoméstico de forma segura y comprendan los riesgos. Este aparato no es un juguete para niños. La limpieza y mantenimiento no deberá realizarse por niños sin supervisión.
 6. No deberá dejarse acercar al aparato a niños menores de 3 años sin supervisión continua. Los niños de entre 3 y 8 años de edad solo deberán encender/apagar el aparato si este se ha colocado o instalado en su posición normal de funcionamiento y el niño está supervisado o ha recibido instrucciones sobre el uso seguro del aparato y comprende los peligros que existen. Los niños de entre 3 y 8 años de edad no deben enchufar, regular ni limpiar
-

INSTRUCCIONES IMPORTANTES SOBRE SEGURIDAD

el aparato ni llevar a cabo tareas de mantenimiento.


7. No utilice este aparato en serie con un control de temperatura, controlador de programas, temporizador o ningún otro aparato que encienda automáticamente el calefactor, ya que existe riesgo de incendio si el dispositivo se cambia de posición o se cubre accidentalmente.
8. Este aparato no va equipado con un dispositivo para controlar la temperatura ambiente. No utilice este aparato en habitaciones pequeñas cuando estén ocupadas por personas que no sean capaces de salir de la habitación por sus propios medios, salvo que exista supervisión constante.
9. Asegúrese de que no haya muebles, cortinas u otros materiales combustibles a menos de un metro del aparato.
10. En caso de fallo, desenchufe el aparato.
11. Desenchufe el aparato cuando no se vaya a utilizar durante periodos prolongados.
12. Aunque este aparato cumple las normas de seguridad, no se recomienda su uso en alfombras de pelo espeso o alfombrillas de pelo largo.
13. Este aparato debe colocarse de modo que el enchufe quede accesible.
14. Si el cable eléctrico está dañado debe ser sustituido por el fabricante o agente de servicio o persona con cualificación similar para evitar peligros.
15. Mantenga el cable eléctrico apartado del frontal del aparato.

⚠ INSTRUCCIONES IMPORTANTES SOBRE SEGURIDAD

⚠ ADVERTENCIA: Para evitar que se produzca sobrecalentamiento, no cubra el aparato. No coloque materiales o prendas sobre el dispositivo ni obstruya la circulación de aire alrededor del dispositivo, por ejemplo por cortinas o muebles, ya que esto podría provocar sobrecalentamiento y riesgo de incendio.

⚠ ADVERTENCIA: Para evitar peligros debido al reinicio involuntario del desconectador térmico, este aparato no debe recibir corriente de un dispositivo con interruptor externo, como puede ser un temporizador, ni conectarse a un circuito con conexión y desconexión automáticas por parte de la compañía eléctrica.

⚠ PRECAUCIÓN: Algunas piezas de este producto pueden calentarse mucho y provocar quemaduras. Deberá prestarse especial atención si hay niños o personas vulnerables presentes.

El calefactor tiene el símbolo de advertencia  que indican que no debe estar cubierto

CONSERVE ESTAS INSTRUCCIONES



Guía de referencia rápida

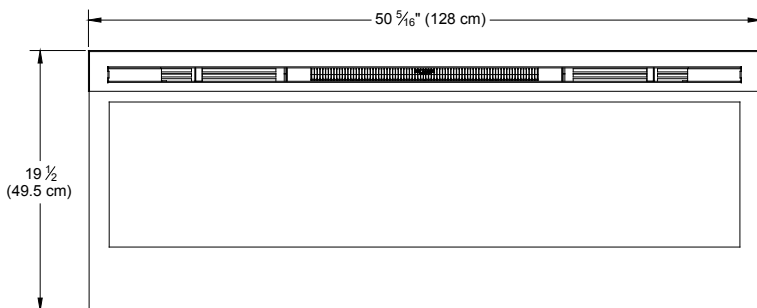
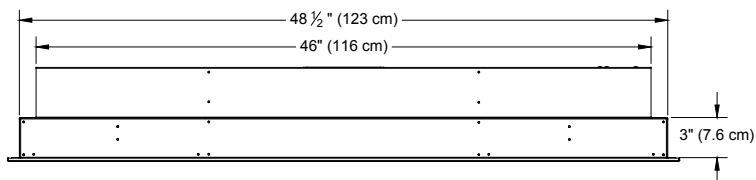
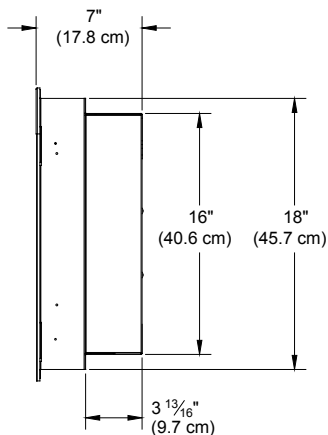
① Encontrará la información eléctrica sobre la chimenea en la etiqueta de potencia nominal situada en la parte frontal de la unidad, detrás del cristal.

Antes de la instalación, copie debajo el número de serie de la chimenea para posibles consultas en el futuro.

② Si tiene alguna pregunta técnica en relación con el funcionamiento de su chimenea eléctrica, o precisa servicio técnico, póngase en contacto con el centro de atención al cliente.

③ Para dimensiones de la chimenea, consulte la Figura 1.

Figura 1



Instalación de la chimenea

Selección de la ubicación

Repase y considere todas las siguientes condiciones para la instalación:

- Dimensiones de la unidad: 128 cm x 49,5 cm
- La instalación de la unidad con seguridad precisa al menos dos (2) tacos en la pared

Tres posibles métodos de instalación:

- Método de instalación: Instalación en superficie, en nicho en la pared o empotrada
- Con cableado fijo o con enchufe

⚠ ADVERTENCIA: Asegúrese de que el cable de instalación no esté instalado de forma que quede pellizcado o contra un borde agudo, y compruebe que el cable de alimentación se guarde o proteja para evitar tropezones y tirones, para reducir el riesgo de incendio, descarga eléctrica o lesiones personales.

La construcción y el cableado de la toma eléctrica deberán cumplir los códigos locales de construcción y otras normas vigentes para reducir el riesgo de incendio, descarga eléctrica y lesiones personales.

1. Seleccione una ubicación que no sea susceptible de recibir humedad y apartada de cortinas, muebles y elevada circulación de personas.

2. Para facilitar la conexión eléctrica, posiblemente desee situar la chimenea cerca de una toma de corriente ya existente (mayor comodidad en la conexión).

! NOTA 1: Se necesita un circuito de 13 amperios y 230 voltios. Es preferible un circuito exclusivo, pero no es esencial en todos los casos. Será necesario un circuito exclusivo si, después de la instalación, el cortacorriente se activa o el fusible se funde de forma continuada cuando el calefactor está en funcionamiento. La conexión de otros dispositivos al mismo circuito puede hacer superar la corriente nominal del cortacorriente.

3. Saque de la caja la chimenea, el cristal delantero y los materiales auxiliares y retire todos los materiales de embalado antes de la instalación.
4. Guarde la chimenea en un lugar seguro, seco y sin polvo hasta que esté preparado para comenzar la instalación.

La instalación se sirve con enchufe de tres conectores para facilitar la conexión. También es posible realizar un cableado fijo quitando el enchufe del cable colocado en

Instalación de la chimenea

fábrica y completando el cableado según los códigos eléctricos nacionales y locales.

⚠ ADVERTENCIA: No trate de cablear enchufes o circuitos nuevos. Para reducir el riesgo de incendio, descarga eléctrica o lesiones personales, recurra siempre a los servicios de un electricista profesional.

⚠ ADVERTENCIA: Asegúrese de que el interruptor de tres posiciones esté en posición de desconectado ("O") y de que el circuito en el que se va a instalar la chimenea tenga la alimentación cortada en el panel de servicio hasta finalizar la instalación.

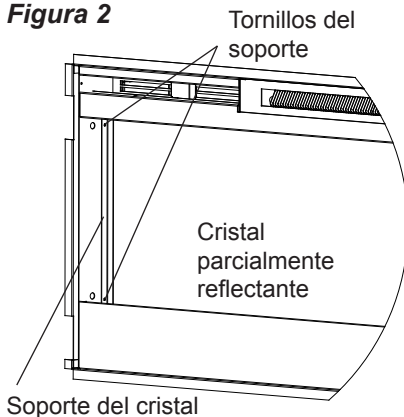
Instalación en superficie

⚠ PRECAUCIÓN: En varios pasos de este procedimiento puede ser necesaria la participación de dos personas.

1. Elija un lugar para instalar la unidad.
2. Escoja el método de alimentación eléctrica de la unidad:
 - Conecte la unidad a una toma existente o instale una toma nueva cerca de la unidad.
 - Cableado permanente.

! NOTA: También es posible realizar cableado fijo quitando el enchufe del cable colocado en fábrica y completando el cableado

Figura 2



según los códigos eléctricos nacionales y locales.

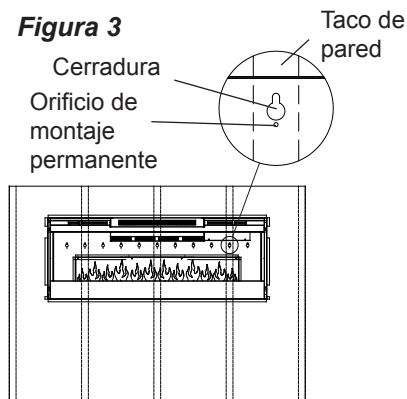
⚠ ADVERTENCIA: No trate de cablear enchufes o circuitos nuevos. Para reducir el riesgo de incendio, descarga eléctrica o lesiones personales, recurra siempre a los servicios de un electricista profesional.

Asegúrese de que el interruptor de tres posiciones esté en posición de desconectado ("O") y de que el circuito en el que se va a instalar la chimenea tenga la alimentación cortada en el panel de servicio hasta finalizar la instalación.

3. Retire de la chimenea el cristal parcialmente reflectante:
 - Coloque la chimenea sobre la parte posterior.
 - Quite dos (2) tornillos Phillips

Instalación de la chimenea

Figura 3



- de cada uno de los dos (2) soportes del cristal (Figura 2).
 - Quite los soportes del cristal.
 - Manteniendo presión con una mano en el cristal parcialmente reflectante, incline la chimenea hasta ponerla vertical y ligeramente hacia adelante para que el cristal parcialmente reflectante pueda salir del marco interior.
 - Retire de la chimenea el cristal parcialmente reflectante.
1. Coloque la chimenea sobre una pared en la posición en la que va a instalarse (Figura 3). Utilice un nivel de burbuja (se suministra uno) para asegurarse de que la chimenea esté nivelada con la pared.
 2. Marque la ubicación de los cuatro (4) tornillos en la pared (a través de las cerraduras).
 3. Retire la chimenea de la pared y guárdela en un lugar seguro, donde no haya elevada circulación de personas.
 4. Coloque los cuatro (4) tornillos de instalación de cabeza cuadrada nº 8 de 3,8 cm y las arandelas en la pared y/o anclajes de pared dejando 6,5 mm de rosca.
 5. Alinee las cerraduras con los tornillos y sujete la estufa sobre la pared. La cabeza de los tornillos y las arandelas encajarán en las cerraduras y la chimenea se deslizará hasta su posición (los tornillos se deslizan hasta la parte estrecha de las cerraduras).
 6. Apriete los cuatro (4) tornillos de instalación en el chasis de la chimenea.
 7. Apriete los dos (2) tornillos de cabeza cuadrada nº 8 suministrados por dos de los orificios de montaje permanente alineados con un taco de pared.
 8. Con cuidado, vuelva a colocar parcialmente el cristal reflectante y los soportes del cristal utilizando

⚠ PRECAUCIÓN: Si va a instalar la unidad en una pared de pladur, asegúrese de utilizar anclajes adecuados para esta pared y de que al menos uno de ellos esté fijado con taco.

Instalación de la chimenea

los tornillos del paso 1.

9. Consulte los procedimientos finales de instalación en la sección Instalación del cristal delantero.

Instalación en nicho en la pared - 100 mm de profundidad

⚠ PRECAUCIÓN: En varios pasos de este procedimiento puede ser necesaria la participación de dos personas.

1. Prepare una pared con una abertura enmarcada de 118,1 cm de ancho x 42 cm de alto (Figura 4).

! NOTA: Las dimensiones incluyen 6,4 mm alrededor del encastre de la chimenea para facilitar la instalación. La chimenea no precisa ventilación adicional.

2. Escoja el método de alimentación eléctrica de la unidad:

- Enchufe (es posible que tenga que sacar el cable por la abertura de la pared hasta una toma eléctrica o instalar una toma eléctrica en un soporte mural).
- Cableado permanente.

! NOTA: También es posible realizar cableado fijo quitando el enchufe del cable colocado en fábrica y completando el cableado

Figura 4

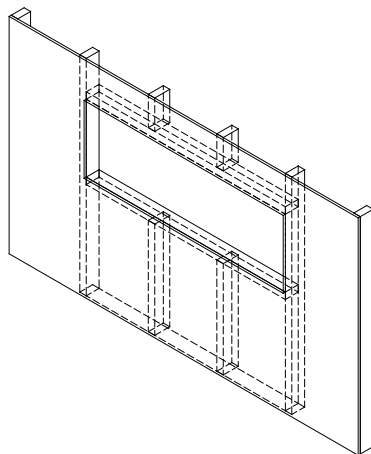
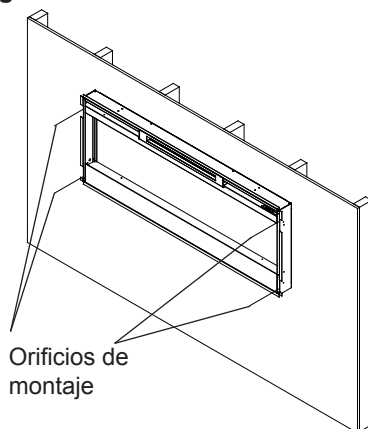


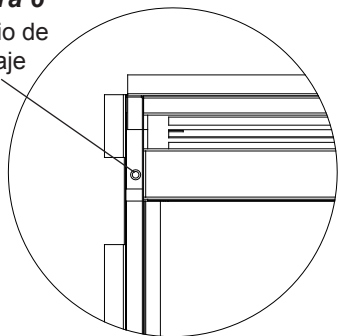
Figura 5



Instalación de la chimenea

Figura 6

Orificio de montaje



según los códigos eléctricos nacionales y locales.

⚠ ADVERTENCIA: No trate de cablear enchufes o circuitos nuevos. Para reducir el riesgo de incendio, descarga eléctrica o lesiones personales, recurra siempre a los servicios de un electricista profesional.

Asegúrese de que el interruptor de tres posiciones esté en posición de desconectado ("O") y de que el circuito en el que se va a instalar la chimenea tenga la alimentación cortada en el panel de servicio hasta finalizar la instalación.

1. Levante la chimenea e introdúzcala en la abertura (Figura 5).
2. Utilice el nivel de burbuja (suministrado) para nivelar la chimenea en el marco. Haga los ajustes necesarios.
3. Coloque cuatro (4) tornillos de montaje suministrados en los

cuatro (4) orificios de montaje situados en cada esquina del chasis de la chimenea, con tacos para pared (Figura 6).

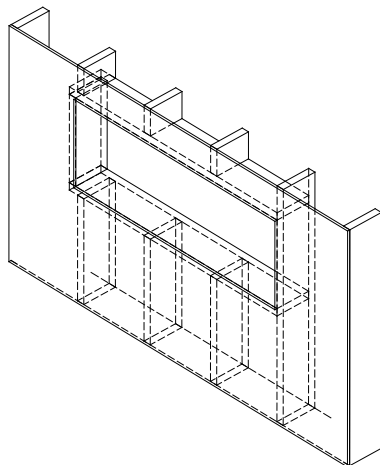
4. Consulte los procedimientos finales de instalación en la sección Instalación del cristal delantero.

Empotrada Instalación - 200 mm de profundidad

⚠ PRECAUCIÓN: En varios pasos de este procedimiento puede ser necesaria la participación de dos personas.

1. Prepare una pared con una abertura enmarcada de 124,5 cm de ancho x 47 cm de alto (Figura 7).

Figura 7



Instalación de la chimenea

! NOTA: Las dimensiones incluyen 6,4 mm alrededor del encastre de la chimenea para facilitar la instalación. La chimenea no precisa ventilación adicional.

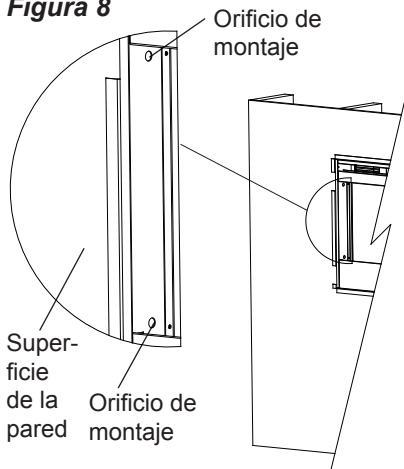
- Escoja el método de alimentación eléctrica de la unidad:
 - Enchufe (es posible que tenga que sacar el cable por la abertura de la pared hasta una toma eléctrica o instalar una toma eléctrica en un soporte mural).
 - Cableado permanente.

! NOTA: También es posible realizar cableado fijo quitando el enchufe del cable colocado en fábrica y completando el cableado según los códigos eléctricos nacionales y locales.

⚠ ADVERTENCIA: No trate de cablear enchufes o circuitos nuevos. Para reducir el riesgo de incendio, descarga eléctrica o lesiones personales, recurra siempre a los servicios de un electricista profesional. Asegúrese de que el interruptor de tres posiciones esté en posición de desconectado ("O") y de que el circuito en el que se va a instalar la chimenea tenga la alimentación cortada en el panel de servicio hasta finalizar la instalación.

- Levante la chimenea e introdúzcala en la abertura. El borde de montaje de la chimenea deberá quedar al nivel

Figura 8



- de la pared (Figura 8).
- Utilice el nivel de burbuja (suministrado) para nivelar la chimenea en el marco. Haga los ajustes necesarios.
- Coloque cuatro (4) tornillos de montaje suministrados en los cuatro (4) orificios de montaje situados en la superficie interior del chasis de la chimenea, con tacos para pared (Figura 8).
- Consulte los procedimientos finales de instalación en la sección Instalación del cristal delantero.

Instalación del cristal delantero

- Distribuya uniformemente las piedras de cristal suministradas

Instalación de la chimenea

Figura 9

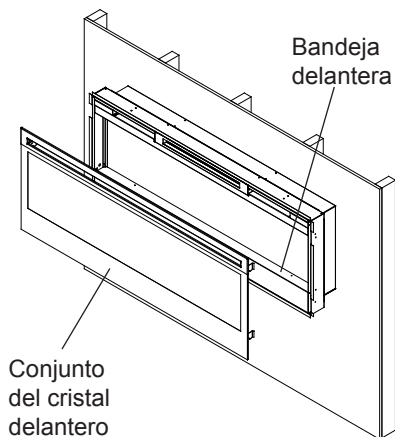
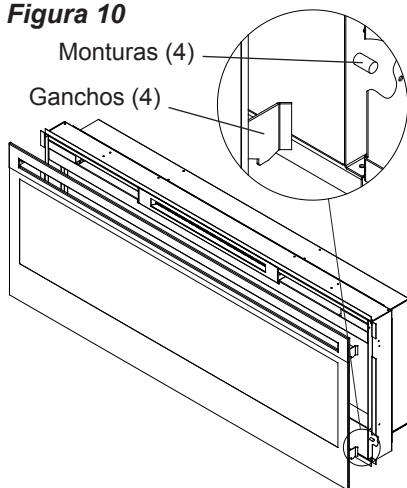
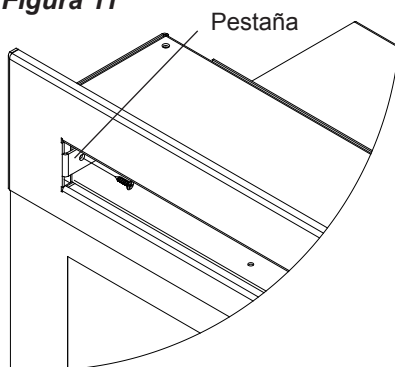


Figura 10



1. en la bandeja delantera de la chimenea (Figura 9).
2. Coloque con cuidado el conjunto del cristal delantero de modo que los ganchos del cristal delantero (4) queden colocados sobre las monturas para el cristal delantero de la chimenea (4) (Figura 10).
3. Utilice los dos (2) tornillos Phillips para lámina de metal suministrados para ajustar las lengüetas del conjunto del cristal sobre la chimenea (Figura 11).
4. Compruebe que el interruptor de tres posiciones de la chimenea esté en posición de desconectado ("O").

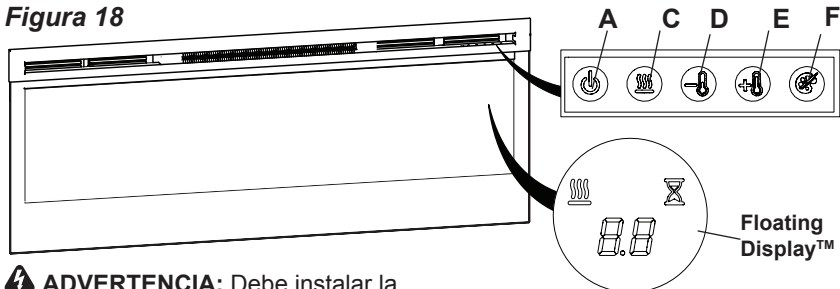
Figura 11



5. Si la unidad no tiene cableado fijo, enchufe la chimenea a una toma de 13 amperios y 230 voltios (consultar NOTA 1).

🔑 Funcionamiento

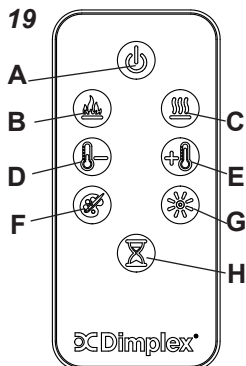
Figura 18



⚠️ ADVERTENCIA: Debe instalar la cámara de combustión eléctrica de manera adecuada antes de utilizarla. Puede controlar la unidad por control remoto y con los controles manuales, los cuales se encuentran en la parte superior derecha de la chimenea (Figuras 18 y 19). La chimenea incluye un control remoto multifunción IR.

! NOTA: El control remoto debe estar orientado hacia el Floating Display™ para funcionar correctamente.

Figura 19



A. Botón del modo de espera

Enciende y apaga la unidad


→ Se activa al presionar el botón de modo de espera en el control remoto o en la unidad.

- La unidad se encenderá con las mismas funciones que se habían configurado antes de que se apagara y la temperatura de admisión se indicará en la pantalla de datos.

! NOTA: Cuando presione algún botón, la temperatura de admisión aparecerá en la pantalla de datos durante 5 segundos.

B. Efectos de llama


Enciende y apaga los efectos de llama.


→ Se activa al presionar el botón  de modo de espera en el control remoto.

C. Calor encendido/apagado


Funcionamiento

Ciclos de la unidad de forma secuencial a través de los 2 ajustes: Mucho calor y desactivado.

→ Se activa al presionar el botón  en el control remoto o en la unidad.

- Se indicará con el ícono  y la temperatura de admisión se mostrará en la pantalla de datos durante 5 segundos antes de apagarse.



! NOTA: Después de que la calor está desactivado, hay un retraso de 30 segundos, donde el ventilador continuará funcionando antes de apagarse.

! NOTA: La unidad se puede operar en modo de **sólo calor** (sin leños ni llamas). Cuando la unidad sólo funciona como calentador, el  ícono y temperatura de admisión se mostrará continuamente en la pantalla de datos.



! NOTA: El calentador puede emitir un ligero olor inocuo cuando se utiliza por primera vez. Este olor es una normal y es provocado por el calentamiento inicial de las piezas internas del calentador, pero no sucederá de nuevo.

D & E.  **Controles del termostato**
Ajusta la temperatura establecida


a sus necesidades específicas. Una vez alcanzada la temperatura deseada, el calentador se apagará. El calentador realizará un ciclo de encendido y apagado para mantener la temperatura que haya establecido. El ajuste predeterminado de temperatura es de 72°F (22°C).

→ Para ajustarla, presione  para disminuir la temperatura establecida y  para aumentarla en el control remoto o en la unidad.

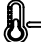
- La pantalla de datos indicará la temperatura establecida conforme la ajuste.


! NOTA: Presione el botón  et el botón  en la unidad durante dos segundos para cambiar la temperatura de °C a °F, o vice versa.


Para desactivar el calentador
Si lo desea, dependiendo de la temporada, puede desactivar el calentador. La unidad funcionará de la misma manera, con un recordatorio de los controles.

Mantenga los botones  y

Funcionamiento

 presionados en la unidad al mismo tiempo, durante 2 segundos para desactivar y activar el calentador.

! NOTA: Cuando desactive el calentador y los botones  o

 estén presionados, la pantalla de datos indicará "--".


F. Temas de color

La unidad contiene varias combinaciones de colores de luz ambiental.

→ Se ajusta al presionar repetidamente el botón correspondiente en el control remoto o en la unidad.

- Varía entre los diferentes tipos de efectos de luz de la unidad, incluye varias combinaciones de colores de la luz de llama y la luz de los medios.

! NOTA: El último tema del ciclo es un prisma donde los ciclos de la unidad a través de una variedad de colores. Al pulsar el

 botón se detiene el ciclismo y mantiene la unidad en el color preferido, indicado por una "U" - Descongelar o una "F" - congela.

G. Brillo

Cambie el brillo de las luces en la

unidad.


→ Se ajusta al presionar repetidamente el botón correspondiente en el control remoto.

- Indicado por el segundo dígito de la Floating Display™ cambia para mostrar: "H" (alto), "L" (bajo).

H. Temporizador de apagado automático


El temporizador de apagado automático puede configurarse para que la chimenea se apague automáticamente después de un tiempo preestablecido (de 30 minutos a 8 horas).

→ Para configurar el temporizador, presione el botón de temporizador ya sea en el control remoto o en la unidad, varias veces, hasta que la hora deseada aparezca.

- La pantalla de datos indicará los diferentes tiempos conforme se vaya ajustando. Una vez que se active el temporizador, presione el botón  para mostrar el tiempo que falta para que se apague la unidad.

! NOTA: El temporizador de apagado automático puede cancelarse en cualquier momento

Funcionamiento

presionando repetidamente el botón  hasta que dicho temporizador no muestre nada en la pantalla.

Para restablecer el interruptor de corte de corriente de la temperatura

Si el calentador se sobrecalienta, un cortacircuitos lo apagará, y no se volverá a encender si no lo reconfigura. Puede volver a activarse desconectando la unidad y esperar 5 minutos antes de enchufar la unidad interactivo.

Reemplazo de la batería del control remoto

Para reemplazar la batería:

1. Deslice y abra la cubierta del compartimiento de la pila en el transmisor de mano.
2. Instale correctamente una batería de 3 voltios (CR2032 [vida más larga] o CR2025) en el compartimiento de las baterías.
3. Cierre la cubierta de la batería.

Es necesario reciclar la batería o desecharla correctamente. Consulte con las autoridades locales o con un minorista para obtener información sobre el reciclaje en su área.





Mantenimiento

⚠ ADVERTENCIA: Desconecte la alimentación antes de realizar ninguna tarea de mantenimiento para reducir el riesgo de incendio, descarga eléctrica o lesiones personales.

Limpieza del cristal parcialmente reflectante

El cristal parcialmente reflectante se limpia en fábrica durante el proceso de montaje. Durante el transporte, instalación, manipulado, etc., el cristal parcialmente reflectante puede atraer partículas de polvo, que pueden eliminarse pasando con suavidad un paño seco y limpio.

Para eliminar huellas de dedos y otras marcas, el cristal parcialmente reflectante puede limpiarse con un paño seco y limpio. El cristal parcialmente reflectante deberá secarse por completo con un paño que no suelte hilas para evitar manchas de agua. Para evitar rayones, no utilice limpiadores abrasivos.

Limpieza de superficies de la chimenea

Utilice solo un paño humedecido para limpiar las superficies pintadas de la chimenea. No utilice limpiadores abrasivos.

Servicio

Salvo para las tareas de instalación y limpieza descritas en este manual, estas tareas de servicio deberán ser realizadas por un representante autorizado de servicio.

Прозводитель
Глен Димплекс Ирландия
Барн Род Данлир Ко. Лаут,
Ирландия



Импортер: ООО "АЛЕТ"
Юр. адрес: 115432, Россия,
г. Москва, пр-т Андропова,
д. 18, корпус 5, 7 этаж
